

SLEM83 BBQ 1500 150MM FRESCO HOOD



Let's get
Sirius
with rangehood design



SLEM 83 BBQ 1500

Features and Benefits:

ALFRESCO HOODS	Specially designed for outdoor under-cover use, custom built high power motors, minimises smoke and odours from entering adjoining living areas
HALOGEN LIGHTING	Energy efficient, Better illumination of cooking area, Longer life span than standard globes, Modern aesthetic
25MM COMMERCIAL STAINLESS STEEL BAFFLE FILTERS	Commercial design, Dishwasher safe, Designed for greatest air movement for maximum performance, Easy to fit and remove, Lifetime filters: last the life of the hood
INDUCTION COUNTDOWN	10 minute auto function used at the end of cooking to reduce condensation build up common to induction cooking. 'C' shaped baffles eliminates moisture dripping onto cooking surface
LARGER DUCTING DIAMETER	300mm -Greater extraction and lower dB rating due to less air flow restriction
SEM 7 OR 8 EXTERNAL MOTOR	SEM 7 OR SEM 8 MOTOR options for ultra quiet operation
CLEAN FILTER INDICATOR	Takes the guessing game out of maintaining your hood
WARRANTY	Warranty is 4 years only when Sirius ducting is used. Sirius strongly recommend to use the correct ducting as to not void warranty and to achieve the ideal result

Distributed by Arisit Pty Ltd

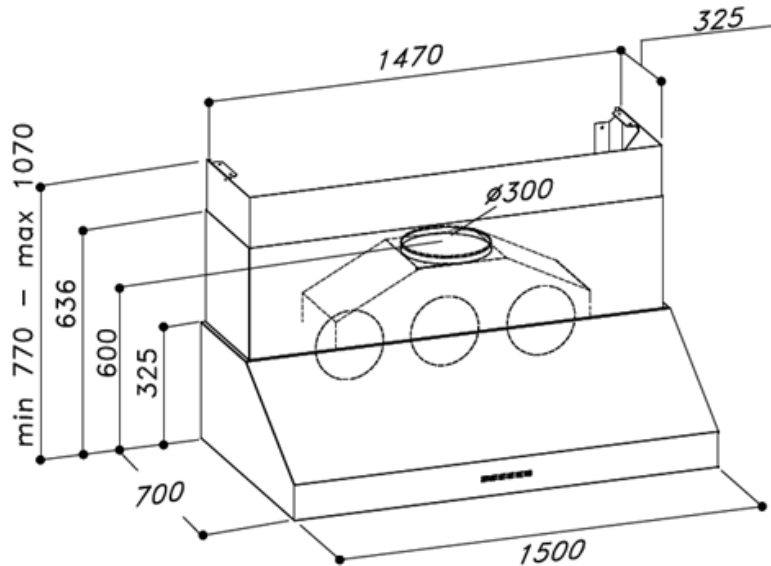
40-44 Mark Anthony Drive, Dandenong South VIC 3175 Ph: 1300 762 219 Fax: 03 9768 0838 Website: www.arisit.com

SLEM 83 BBQ 1500

150MM FRESCO HOOD



let's get
Sirius
with rangehood design



Technical Specifications:

MODEL	SLEM 83 BBQ 1500
CONTROL PANEL	ELECTRONIC CONTROL
MOTOR	SEM 7
EXTRACTION	VARIABLE BASED ON MOTOR
DUCTING DIAMETER	300mm
LIGHTS	5 x ADJUSTABLE
FILTER	25mm COMMERCIAL STAINLESS STEEL FILTER
ELECTRICAL REQUIREMENT	10A
PRODUCT DIMENSIONS	1500 x 700 x 770-1070
WARRANTY	3 YEARS - 4 YEARS WHEN SIRIUS DUCTING IS USED

Open grill BBQs have the higher height restriction to prevent flames caused by fat fires being sucked up into the hood. You must leave at least 900 mm (full hotplate) or 1200 mm (open grill) clearance.

WARNING: technical specifications and product sizes can be varied by the manufacturer, without notice. Cut outs for appliances should only be by physical product measurements. The above information is indicative only.

Distributed by Arisit Pty Ltd

40-44 Mark Anthony Drive, Dandenong South VIC 3175 Ph: 1300 762 219 Fax: 03 9768 0838 Website: www.arisit.com