

SLT 105

ISLAND/PENDANT RE-CIRCULATING HOOD



let's get
Sirius
with rangehood design



SLT 105 B – BLACK FINISH

Features and Benefits:

DESIGNER CANOPY RANGE	Sleek and Contemporary Design with superior power and performance Available in Gold, Black, white, or Copper finish.
LED LIGHTING	Energy efficient with Better illumination of cooking area and a Longer life span than standard globes. Modern aesthetic Look
FILTER	Stainless steel with charcoal re-circulating insert.
INDUCTION COUNTDOWN CONTROL	10 minute auto function used at the end of cooking to reduce condensation build up common to induction cooking.
EBM MOTOR OPTIONS	Single Aluminium EBM motor
MADE IN ITALY	Units are designed specifically for the Australian market and manufactured in Italy by dedicated boutique specialist manufacturer
WARRANTY	3 years

Distributed by Arisit Pty Ltd

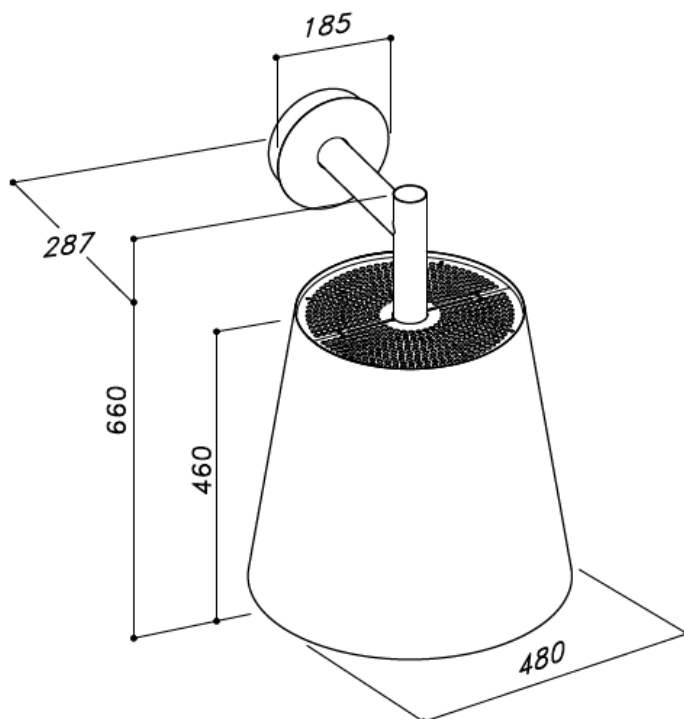
40-44 Mark Anthony Drive, Dandenong South VIC 3175 Ph: 1300 762 219 Fax: 03 9768 0838 Website: www.arisit.com

SLT 105

ISLAND PENDANT RE-CIRCULATING HOOD



let's get
Sirius
with rangehood design



Technical Specifications:

MODEL	SLT 105
CONTROL PANEL	REMOTE CONTROL
MOTOR	SINGLE ALUMINIUM EBM
EXTRACTION	600M ³ /H
DUCTING DIAMETER	N/A (re-circulating)
UNIT WEIGHT	18.5 KG
LIGHTS	ROUNDED NEON LIGHT
FILTER	STAINLESS STEEL WITH CHARCOAL RE-CIRCULATING INSERT
ELECTRICAL REQUIREMENT	10A
PRODUCT DIMENSIONS	480mm x 460 - 660mm
WARRANTY	3 YEARS

WARNING: technical specifications and product sizes can be varied by the manufacturer, without notice. Cut outs for appliances should only be by physical product measurements. The above information is indicative only.

Distributed by Arisit Pty Ltd

40-44 Mark Anthony Drive, Dandenong South VIC 3175 Ph: 1300 762 219 Fax: 03 9768 0838 Website: www.arisit.com