

**SLT 960 EM**  
**110CM ROOF CASSETTE**



let's get  
**Sirius**  
 with rangehood design



**SLT 960 EM**

**Features and Benefits:**

ISLAND SOLUTION	This cassette model is sure to make an impression. Sirius island extraction is both effective and aesthetically stunning.
OFF BOARD MOTOR	Locating the motor away for the hood minimises noise in the kitchen up to 95% while still achieving maximum extraction, Motors can be installed up to 7 meters away with both indoor and external motors available making these the most versatile units on the market, no additional power required as motor is powered by a cable from the hood
LED LIGHTS	Better illumination of cooking area, Longer life span than standard globes, Modern aesthetic, independent lighting control.
INDUCTION COUNTDOWN CONTROL	10 minute auto function used at the end of cooking to reduce condensation build up common to induction cooking. 'C' shaped baffles eliminates moisture dripping onto cooking surface
LARGER DUCTING DIAMETER	Greater extraction and lower dB rating due to less air flow restriction
CLEAN FILTER INDICATOR	Takes the guessing game out of maintaining your hood
MADE IN ITALY	Units are designed specifically for the Australian market and manufactured in Italy by dedicated boutique specialist manufacturer

**Distributed by Arisit Pty Ltd**

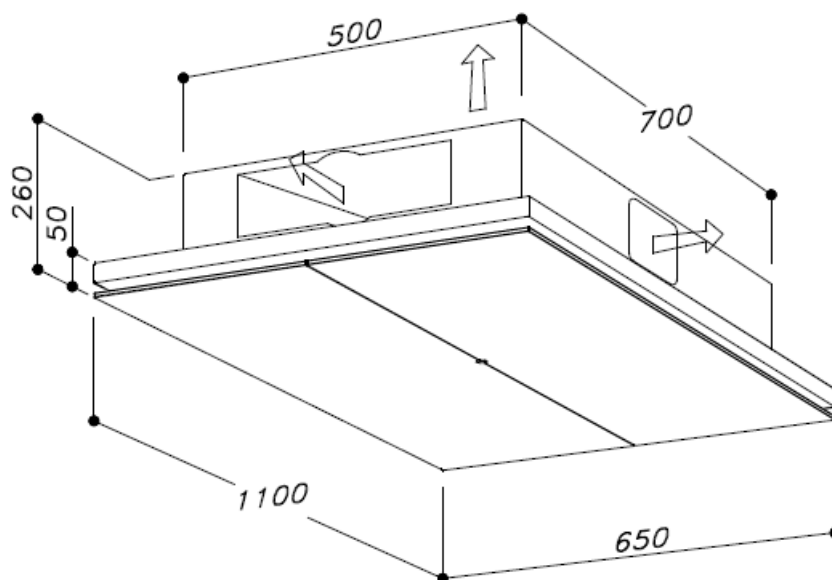
40-44 Mark Anthony Drive, Dandenong South VIC 3175 Ph: 1300 762 219 Fax: 03 9768 0838 Website: [www.arisit.com](http://www.arisit.com)

# SLT 960 EM

## 110CM ROOF CASSETTE



let's get  
**Sirius**  
with rangehood design



### Technical Specifications:

<b>MODEL</b>	SLT 960 EM
<b>CONTROL PANEL</b>	REMOTE CONTROLLED OPTIONAL FREQUENCY
<b>MOTOR</b>	SEM 7 OR SEM 8
<b>EXTRACTION</b>	2300m <sup>3</sup> /h 1650m <sup>3</sup> /h
<b>DUCTING DIAMETER</b>	200mm
<b>LIGHTS</b>	2 x 12 w LED STRIP LIGHTS
<b>FILTER</b>	INTERNAL ALUMINIUM
<b>ELECTRICAL REQUIREMENT</b>	10A
<b>PRODUCT DIMENSIONS</b>	1100 X 650MM

WARNING: technical specifications and product sizes can be varied by the manufacturer, without notice. Cut outs for appliances should only be by physical product measurements. The above information is indicative only.

**Distributed by Arisit Pty Ltd**

40-44 Mark Anthony Drive, Dandenong South VIC 3175 Ph: 1300 762 219 Fax: 03 9768 0838 Website: [www.arisit.com](http://www.arisit.com)