

1100mm CEILING CASSETTE RANGEHOOD - WHITE GLASS FINISH

SLT 968 EM WH

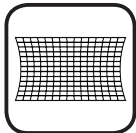
valentina
collection



Rangehood type	Ceiling cassette
Control	Remote control
Speed settings	4
Ducting diameter	200mm
Extraction type	Offboard motor
Motor*	SEM 7 XS316, SEM 8
Filter	Aluminium filter
Lighting	2 x LED Light strips
Induction Countdown Control	Yes
Electrical requirement	10A
Dimensions (mm)	W1100 x D700 x H305
Warranty	3 years (6 years when Sirius ducting is used)



INDUCTION SAFE



ALUMINIUM FILTER



REMOTE CONTROL



SPEED SETTINGS



POWERFUL AIRFLOW



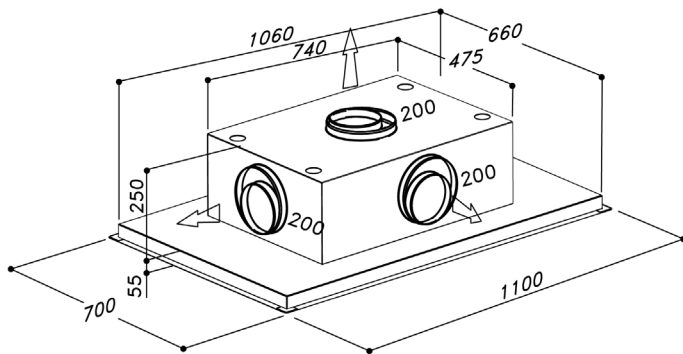
2 x LED LIGHT STRIPS



GERMAN-MADE MOTOR

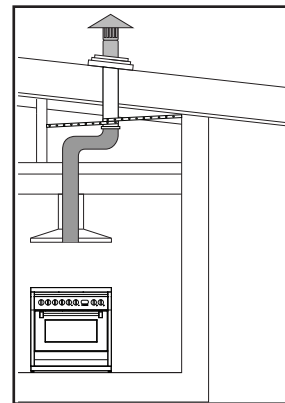


HANDCRAFTED IN ITALY

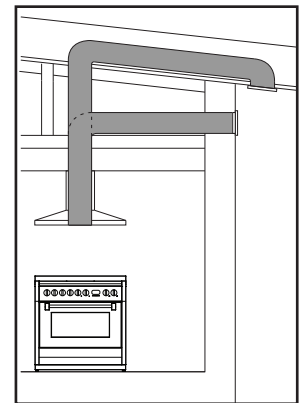


*Outdoor offboard motors have a marine grade finish as standard for added resistance to coastal weather elements.

Ducting options



Roof ducted



Eave or Wall ducted

- Can be used with SEM 7 XS316, SEM 8
- Use semi-rigid or rigid ducting, not fully flexible foil ducting.
- Fewer bends means a quieter and more powerful extraction.
- Extra 3 years warranty when Sirius ducting is used (total 6 years).
- See [support page](#) on Sirius website for installation videos and FAQs.

WARNING: technical specifications and product sizes can be varied by the manufacturer, without notice. Cut outs for appliances should only be by physical product measurements. The above information is indicative only.

Distributed by Arisit Pty Ltd

40-50 Mark Anthony Drive, Dandenong South VIC 3175

Ph: 1300 762 219

Fax: 03 9768 0838

Website: www.arisit.com

www.siriusbrand.com

06/2020