

1100mm CEILING CASSETTE RANGEHOOD - WHITE GLASS FINISH

SLT968EMWH

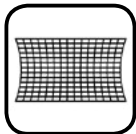
valentina
collection



Rangehood type	Ceiling cassette
Control	Remote control
Speed settings	4
Ducting diameter	200mm
Extraction type	Offboard motor
Motor*	SEM7XS316 / SEM71, SEM8 / SEM81
Filter	Aluminium filter
Lighting	2 x LED Light strips
Induction Countdown Control	Yes
Electrical requirement	10A
Dimensions (mm)	W1100 x D700 x H305
Warranty	3 years (6 years when Sirius ducting is used)



INDUCTION
SAFE



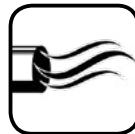
ALUMINIUM
FILTER



REMOTE
CONTROL



SPEED
SETTINGS



POWERFUL
AIRFLOW



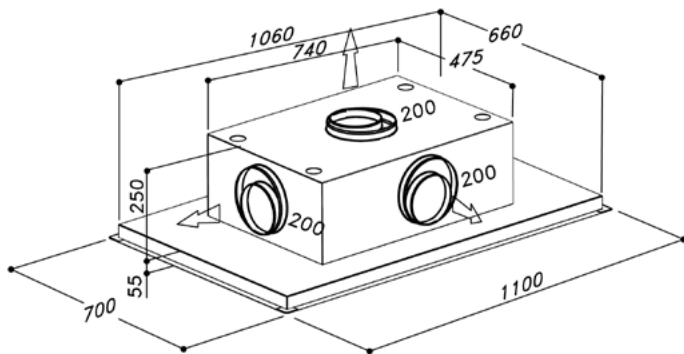
2 x LED
LIGHT STRIPS



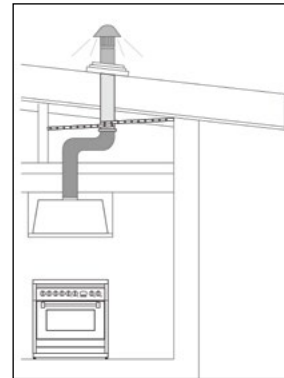
EUROPEAN-
MADE MOTOR



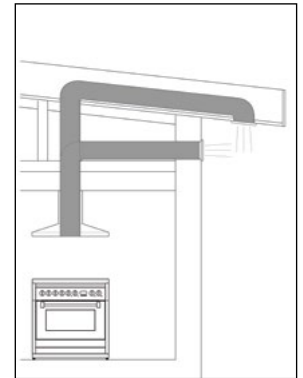
HANDCRAFTED
IN ITALY



Ducting options



Roof ducted



Eave or Wall ducted

*Outdoor offboard motors have a marine grade finish as standard for added resistance to coastal weather elements.

- Can be used with SEM7XS316 / SEM71, SEM8 / SEM81
- Use semi-rigid or rigid ducting, not fully flexible foil ducting.
- Fewer bends means a quieter and more powerful extraction.
- Extra 3 years warranty when Sirius ducting is used (total 6 years).
- See [support page](#) on Sirius website for installation videos and FAQs.

08/2021

WARNING: technical specifications and product sizes can be varied by the manufacturer, without notice. Cut outs for appliances should only be by physical product measurements. The above information is indicative only.

Distributed by Arisit Pty Ltd

40-50 Mark Anthony Drive, Dandenong South VIC 3175

Ph: 1300 762 219

Fax: 03 9768 0838

Website: www.arisit.com

www.siriusbrand.com