

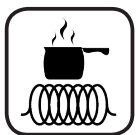
# 1100mm CEILING CASSETTE RANGEHOOD - STAINLESS STEEL FINISH

SLT969 X

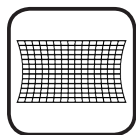
valentina  
collection |  **Sirius**



|                                  |   |
|----------------------------------|---|
| Rangehood type                   | Ceiling cassette                              |
| Control                          | Remote control                                |
| Speed settings                   | 4   |
| Ducting diameter                 | Rectangular ducting                           |
| Extraction type                  | Brushless onboard motor                       |
| Motor                            | Single German-made motor                      |
| Airflow                          | 1020m <sup>3</sup> /h                         |
| Filter                           | Aluminium filter                              |
| Lighting                         | 2 x LED Light strips                          |
| Induction Countdown Control      | Yes   |
| Electrical requirement           | 10A   |
| Dimensions (fully extended) (mm) | W1100 x D700 x H220                           |
| Warranty                         | 3 years (6 years when Sirius ducting is used) |



**INDUCTION  
SAFE**



**ALUMINIUM  
FILTER**



**REMOTE  
CONTROL**



**SPEED  
SETTINGS**



**SINGLE  
ONBOARD  
MOTOR**



**1020m<sup>3</sup>/h  
AIRFLOW**

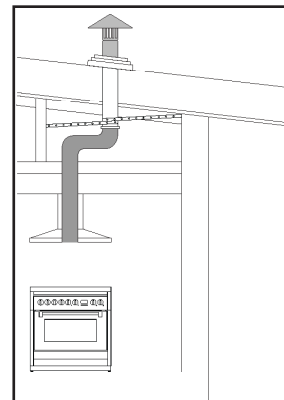
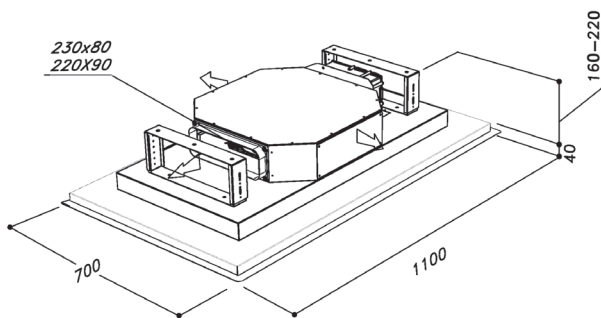


**2 x LED  
LIGHT STRIPS**

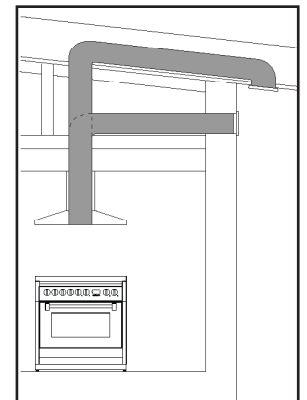


**HANDCRAFTED  
IN ITALY**

## Ducting options



Roof ducted



Eave or Wall ducted

- Use semi-rigid or rigid ducting, not fully flexible foil ducting. Rectangular ducting required.
- Fewer bends means a quieter and more powerful extraction.
- Extra 3 years warranty when Sirius ducting is used (total 6 years).
- See [support page](#) on Sirius website for installation videos and FAQs.

WARNING: technical specifications and product sizes can be varied by the manufacturer, without notice. Cut outs for appliances should only be by physical product measurements. The above information is indicative only.

Distributed by Arisit Pty Ltd

40-50 Mark Anthony Drive, Dandenong South VIC 3175

Ph: 1300 762 219

Fax: 03 9768 0838

Website: [www.arisit.com](http://www.arisit.com)

[www.siriusbrand.com](http://www.siriusbrand.com)

06/2020