

**(GB)** INSTALLATION, USE AND MAINTENANCE INSTRUCTION

**SLT968 EM**  
**SLT969**

*TECHNICAL INFORMATION*

**TYPE: FSED - FSEA**





GB



The symbol on the product or on its packaging indicates that this product may not be treated as household waste. Instead it shall be handed over to the applicable collection point for the recycling of electrical and electronic equipment. By ensuring this product is disposed of correctly, you will help prevent potential negative consequences for the environment and human health, which could otherwise be caused by inappropriate waste handling of this product. For more detailed information about recycling of this product, please contact your local city office, your household waste disposal service or the shop where you purchased the product. This appliance is marked according to the European directive 2012/19/EC on waste electrical and electronic equipment (WEEE).

# CONTENTS

GB

**Warnings**

**Uses**

**Functioning**

**Installation**

**Working**

**Maintenance**

## WARNINGS

**The appliance is not intended to be used by young children or infirm persons without supervision.**

**Young children should be supervised**


**to ensure they do not play with the appliance.**


**The air sucked can't be conveyed through or into a duct used to let out fumes from appliances fed by energy other than electric power (eg. centralized heating, radiators, water-heaters, etc.).**

**To evacuate the air outlet, please comply with the pertaining rules given by competent authorities.**

Provide the room with an adequate aeration when a cooker hood and appliances fed by energy other than electric power (gas-, oil-, or coal- stoves, etc.) are used simultaneously.

The cooker hood, when evacuating the sucked air, could generate a negative pressure in the room which can't exceed the limit of 0.04 mbar, in order to avoid the suction of exhausts deriving from the heating source. Therefore the room should be provided with air intakes to allow a constant flow of fresh air.

If the rating label in the cooker-hood **shows** the symbol , the appliance is built in class II° and it **does not need** any earth connection.

If the rating label in the cooker hood **does not** show the symbol , the appliance is built in class I° and it **needs** the earth connection.

When performing the electrical connections on the appliance, please make sure that the current tap is provided with earth connection and that voltage values correspond to those indicated on the label placed inside the appliance itself.

Before carrying out any cleaning or maintaining operations, the appliance needs to be removed from the electric grid.

If the appliance is not provided with a non-separable flexible cable and plug, or with another device ensuring unipolar disconnections from the grid, with an opening distance between the contacts of at least 3 mm, then such disconnecting devices must be supplied within the fixed installation.

If the appliance is endowed with a supply cord and a plug, the appliance has to be put in a place where the plug can be reached easily.

**The use of materials which can burst into flames should be avoided in close proximity of the appliance. When frying, please pay particular attention to fire risk due to oil grease. Being highly inflammable, fried oil is especially dangerous. Do not use uncovered electric grills. In order to avoid possible fire risk, all instructions for grease filter cleaning and grease deposits removal should be strictly followed.**

## USES

SLT968 EM model can be used only if connected with external motors manufactured by the same producer.

SLT969 model are equipped with internal motor.

## FUNCTIONING

### PANEL OPENING

It is possible to open the panel, which cover the grease filters, slightly pulling the panel on a side, as shown on fig. 1.

In order to make the hood working properly, it is recommended to install the appliance at a distance of 2000 - 2100 mm from the floor.

Before starting the appliance installation, please check that all components are not damaged, in such a case contact your retailer and do not carry out installation.

Furthermore, please read carefully all of the following installation instructions.

- Use an exhausting pipe whose maximum length does not exceed 5 meters.
- Limit the no. of elbows in the piping, since each elbow reduces the air capacity of 1 linear meter. (Ex.: if you use no. 2 x 90 ° elbows, the length of piping must not exceed 3 meters).
- Avoid abrupt direction changes.
- Use a 150 mm constant diameter pipe for the whole length, or same section.
- Use piping approved by standards in force.

## SLT968 EM INSTALLATION

Take the product out of the packaging and place it on a suitable surface: we suggest to use a soft material like a sponge or a cloth.

This information is very important for the creation of the plasterboard structure.

Installation entails the lowering of the plasterboard ceiling, as the appliance shall be installed at a maximum distance of 2100mm from the floor in order to ensure good operation and performances. The hood can be installed at a minimum distance of 300mm and at a maximum distance of 480mm from the solid ceiling.

In case ceiling lowering results greater than the aforementioned maximum distance required, you will need to use longer threaded bars.

In order to make installation operations easier, we suggest to create only the metal structure close to the hood, without using the plasterboard.

Please remind that the recess which will house the hood should be **1065x665mm** and that the weight of the plasterboard shall not rest on the hood.

Provide the area where the hood is being installed with power supply and with the 150mm diameter or similar section duct necessary to discharge the air.

Draw the holes for installing the appliance on the solid ceiling (Fig. 3). Drill the holes previously outlined using an 8mm diameter twist drill and secure the metric dowels and the threaded bars supplied into the holes (fig. 4).

It is possible to select the side of the hood where the air suctioned can be discharged.

After having chosen the most suitable position, prepare the ducting: an air outlet connection piece, with a diameter of 150 mm to be installed in the side selected, is provided with the appliance. (FIG. 5 - 6 - 7)

The standard configuration of this product has the upper outlet flange - 200mm diameter - already installed. (fig 8).

Bring the hood close to the ceiling and carry out the electrical and the air outlet duct connection as well.

Install the hood on the ceiling and secure it by screwing the nuts supplied to the threaded bars. (fig. 9).

The plasterboard structure shall not rest on the hood.

## SLT969 INSTALLATION

Take the product out of the packaging and place it on a suitable surface: we suggest to use a soft material, such as a sponge or a cloth.

Open the glass panel, rotating it as shown in Fig. 1, and remove the grease filters.

**BEFORE INSTALLATION, IN ORDER TO AVOID ANY POSSIBLE DAMAGE TO THE GLASSES, WE RECOMMEND TO REMOVE THEM BY UNSCREWING THE EIGHT SCREWS SHOWN IN FIG.2.**

A recess shall be created, where the appliance will be placed, which shall have a 1065 mm X 665 mm rectangular opening and depth ranging from 200mm to 280 mm.

**INSTALL THE HOOD ON THE CEILING, CONNECT THE CANAL SYSTEM FOR THE AIR OUTLET, SET THE ELECTRICAL CONNECTION AND THEN COMPLETE THE PLASTERBOARD STRUCTURE.**

The recess shall be provided with a socket and a round pipe of 150mm diameter, or a similar section, for the air outlet. Drill the holes on the ceiling, as shown in Fig. 10, insert the plastic plugs into the holes made, and then fix the ceiling brackets as shown in Fig. 11. The ceiling brackets are telescopic, so their height can be adjusted at 80 mm between the ceiling and the hood.

You can choose one of the three air outlets shown in Fig. 12: fit the air outlet plastic flange in the desired outlet; the remaining outlets shall be closed with the specific metal caps, as shown in fig. 12. Bring the hood close to the brackets previously fixed and then connect the appliance to the supply mains. Secure the hood to the ceiling, by using the screws supplied, as shown in Fig. 13.

# WORKING

RC001

## RADIO CONTROL


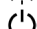

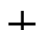
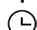
Radio control used for the remote operation of ducted cooker hoods.

### TECHNICAL DATA

- Alkaline battery powered: 12V mod. 27A
- Operating frequency: 433.92 Mhz
- Combinations: 32.768
- Max. consumption: 25 mA
- Operating temperature:  $-20 \div + 55$  °C
- Dimensions: 130x45x15 mm.

### OPERATING DESCRIPTION

The transmitter is equipped with 5 buttons for cooker hood management, as specified below:

-  : Light ON/OFF command.
-  : Motor ON (speed level 1) / OFF command.
-  : Reduce speed.
-  : Increase speed.
-  : 10-minute timer.

### DIMMABLE LIGHTS FUNCTION

THIS FUNCTION PROVIDES FOR LIGHTS DIMMABILITY, RANGING FROM 20% TO 100% , BY CONTINUOUSLY PRESSING THE LIGHT KEY ON THE REMOTE CONTROL.

FUNCTIONS ARE THE FOLLOWING:

- HOOD LIGHT OFF - SHORTLY PRESS THE KEY - LIGHT ON AT 100%.
- LIGHT ON AT 100% - SHORTLY PRESS THE KEY - LIGHT OFF.
- LIGHT ON AT 100% - CONTINUOUSLY PRESS THE KEY - BRIGHTNESS REDUCTION.
- RELEASING THE KEY DURING REDUCTION OR INCREASE - LIGHT KEEPS THE LUMINOUS INTENSITY REACHED.
- LIGHT ON - DIMMED - CONTINUOUSLY PRESS THE KEY - BRIGHTNESS IS INVERTED IF COMPARED TO THE PREVIOUS FUNCTION.

### INITIAL OPERATING CONDITION

The manufacturer supplies the radio control unit ready to be used with codes preset in the Factory



### OPERATION MODE

Standard configuration:

Standard configuration requires all "cooker hoods – radio control - system" to be provided with the same transmission code. In the event two cooker hoods – radio control system are installed in the same room or nearby, each system may affect the operation of the another. Therefore, the code of one radio control system must be changed.

### Generating a new transmission code:

The radio control system is provided with preset codes. Should new codes be required, proceed as follows: Press simultaneously buttons:



for two seconds. When Leds light on, press buttons:

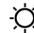


(within 5 seconds). Leds flashing 3 times indicate the procedure is completed.

**WARNING! This operation deletes permanently the preset codes.**

### Learning the new transmission code:

Once the transmission code is changed in the radio control unit, the electronic central unit of the cooker hood must be made to set the new code in the following way:

Press the main power-off button (fig. 14) of the hood and then restore power to the electronic control unit. Within the next 15 seconds, press the Light Button  to synchronise the central unit with the code.

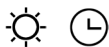
### Reset of the Factory configuration:

To restore the Factory configuration, follow the procedure described below: press simultaneously buttons:





for 2 seconds. When Leds light on, press buttons:



(within 5 seconds). Leds flashing 6 times indicate the procedure is completed.

**WARNING! This operation deletes permanently the preset codes.**

**Emergency button:**

In the event that the radio control does not work, use the emergency button to switch the appliance off. After any necessary repairs have been performed, reset the emergency button.

**WARNING**

The battery should be replaced every year to guarantee the optimal range of the transmitter. To replace the exhausted battery, take the plastic lid off, remove the battery and replace it with a new one, observing the correct battery polarities. Used batteries should be discarded in special collection bins.

The below product:  
RC001 Radiio Controll  
complies with the specifications set out in the  
R&TTE Directive 99/5/EC.



**WARNING**

Any adjustments or modifications which have not been expressly approved by the holder of the legal conformity certificate may invalidate the user's rights relating to the operation of the device.

*Rev. 0 26/08/14*

The products are endowed with an electronic device which allows the automatic switching off after 4 hours working from the last operation.

## MAINTENANCE

An accurate maintenance guarantees good functioning and long-lasting performance. Special care needs to be taken with the grease filter: to access the filter, proceed as described in the PANEL OPENING chapter.

Remove the grease filter, using the special handle. To refit the grease filter after cleaning, carry out the same operation in reverse order.

To remove the carbon filter, if fitted, follow the same steps as for the grease filter.

The carbon filter is located immediately above the grease filter.

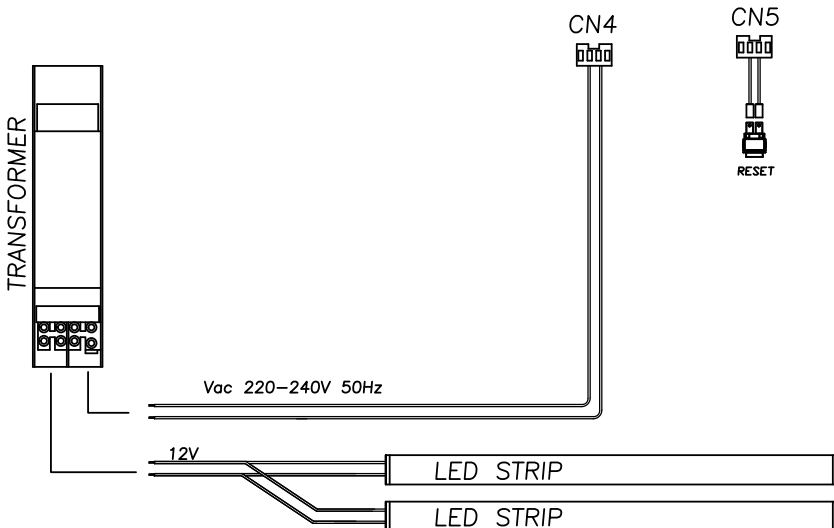
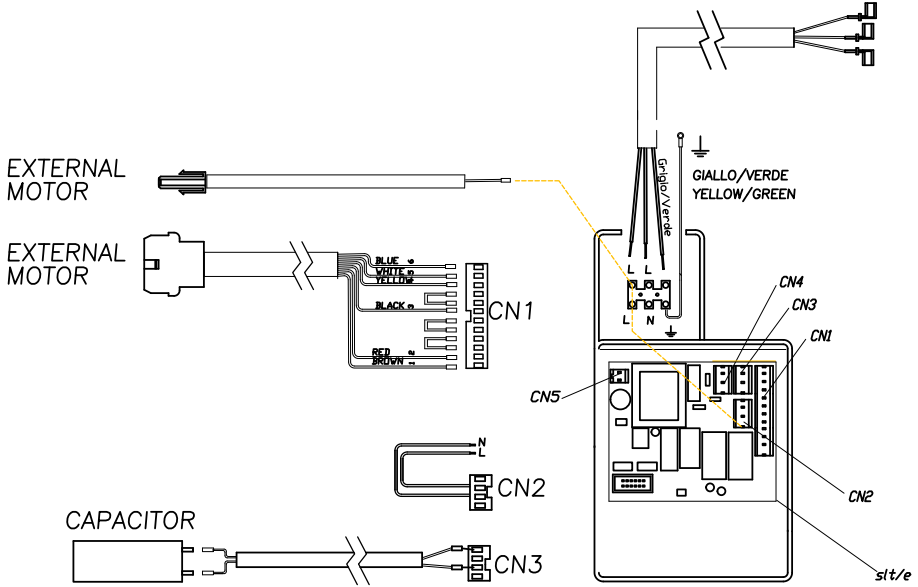
Tepid water and neutral detergents are recommended to clean the appliance, while abrasive products should be avoided.

If the supply cord is damaged, it must be replaced by the manufacturer or its service agent or a similarly qualified person in order to avoid a hazard.

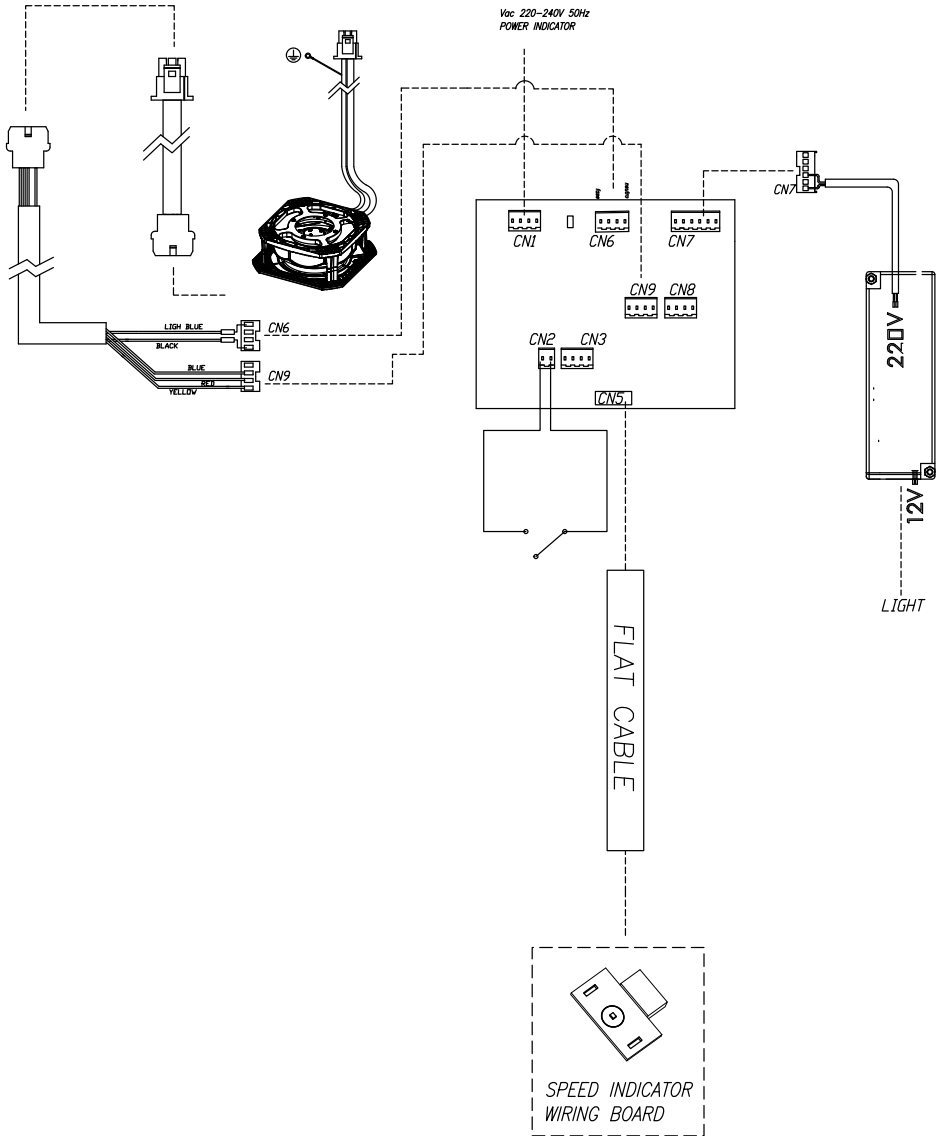
# SLT968

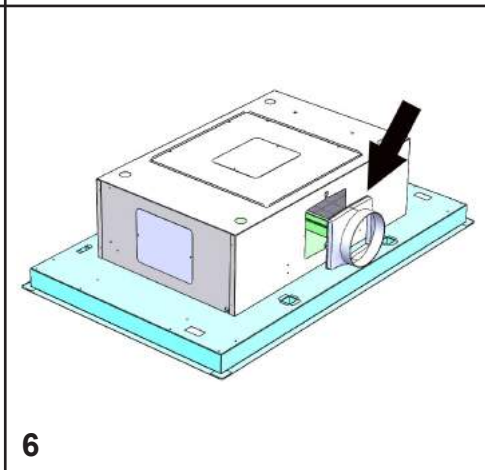
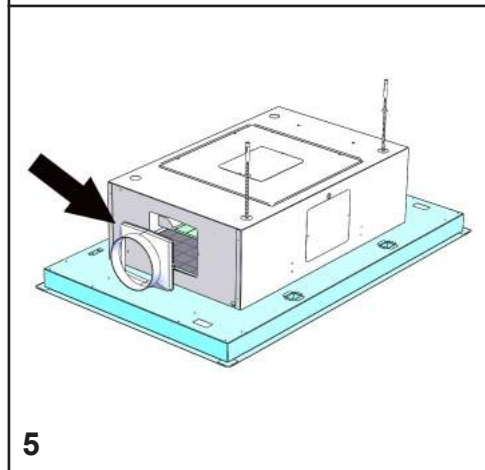
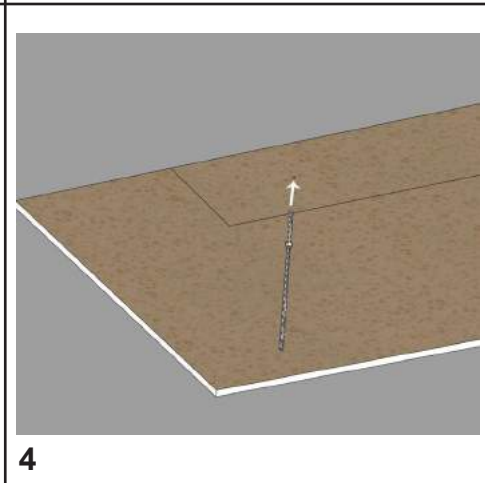
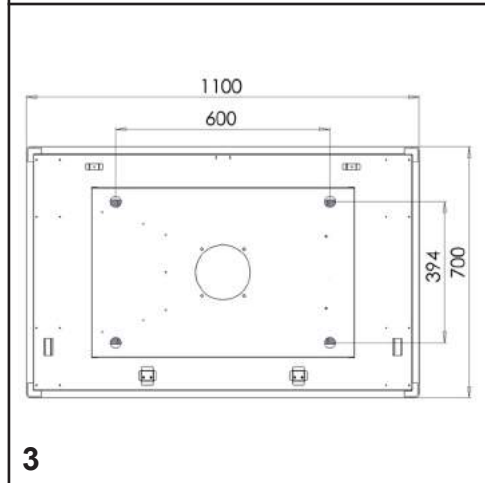
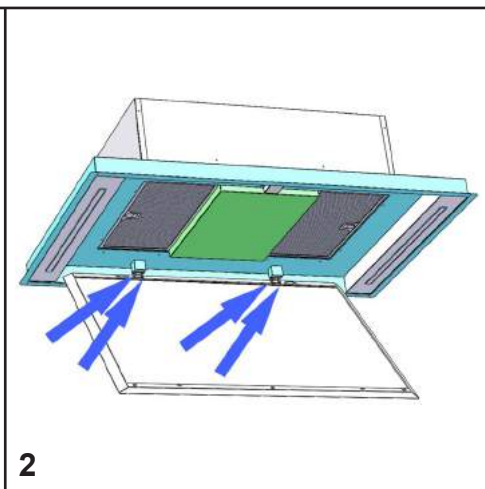
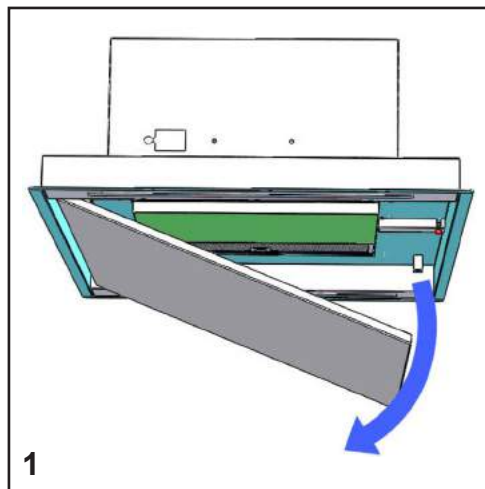
SLT968 EM

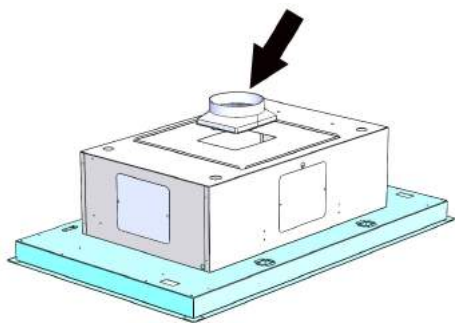
Vac 220-240V 50Hz



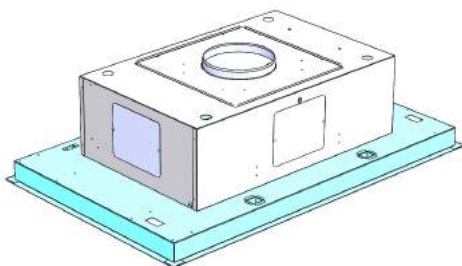
# SLT969



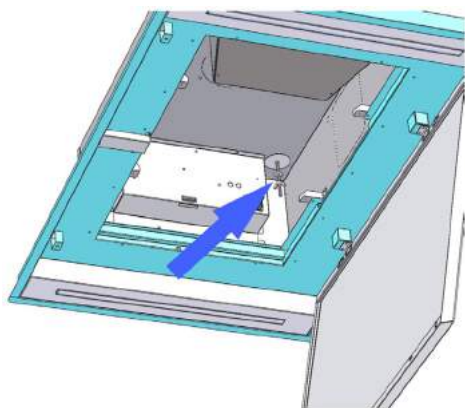




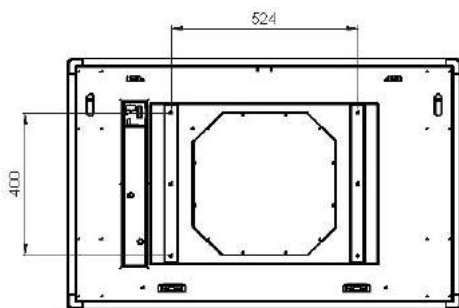
7



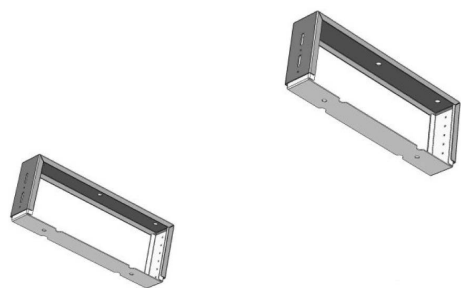
8



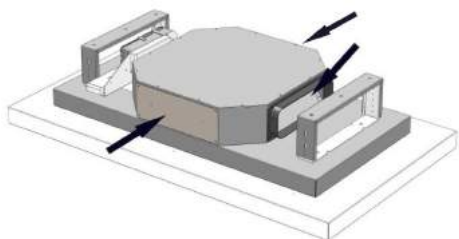
9



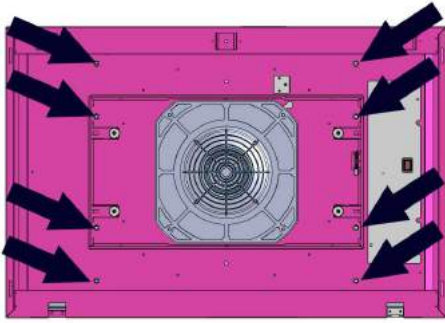
10



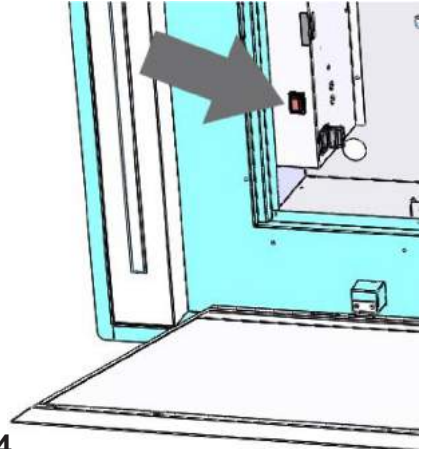
11



12



13



14



