

# 930mm RANGEHOOD WITH OFFBOARD MOTOR - 'THE KITE' CEILING CASSETTE - BLACK PENDANT

valentina  
collection



SLT978EMEL



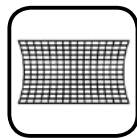
Compatible with Home Assistants

**\*Not available until August 2021**

|                             |   |
|-----------------------------|---|
| Rangehood type              | Ceiling cassette with pendant light           |
| Control                     | Remote control                                |
| Speed settings              | 4   |
| Ducting diameter            | 150mm   |
| Extraction type             | Offboard motor                                |
| Motor*                      | SEM 11, SEM 21, SEM 51                        |
| Filter                      | Aluminium filter                              |
| Lighting                    | Dynamic adjustable lighting                   |
| Induction Countdown Control | Yes   |
| Electrical requirement      | 10A   |
| Cassette dimensions (mm)    | W930 x D440 x H280                            |
| Light dimensions (mm)       | W930 x D440 x H30                             |
| Warranty                    | 3 years (6 years when Sirius ducting is used) |



**INDUCTION SAFE**



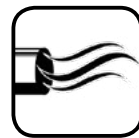
**ALUMINIUM FILTER**



**REMOTE CONTROL**



**VOICE CONTROL**



**POWERFUL AIRFLOW**



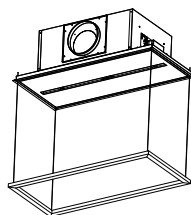
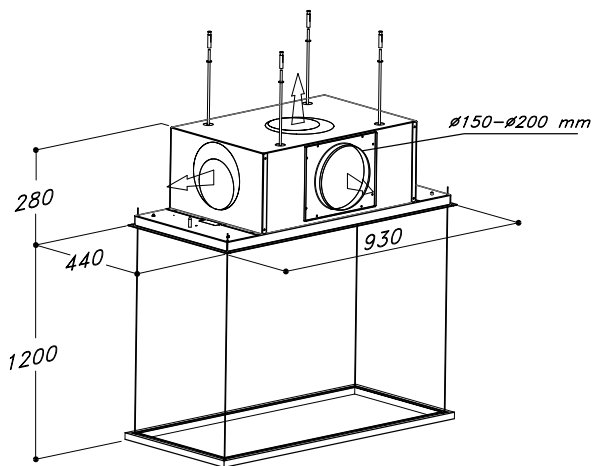
**DYNAMIC LIGHTING**



**EUROPEAN-MADE MOTOR**

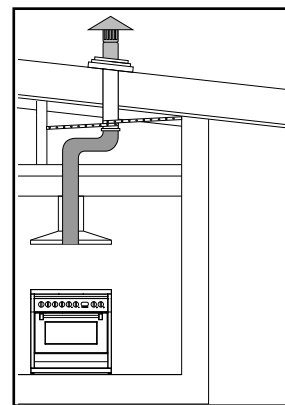


**HANDCRAFTED IN ITALY**

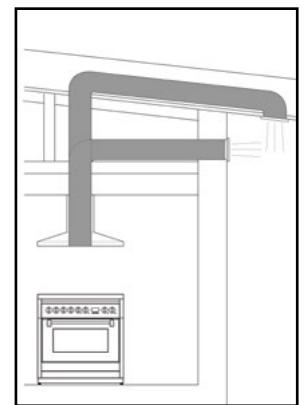


\*Outdoor offboard motors have a marine grade finish as standard for added resistance to coastal weather elements.

## Ducting options



Roof ducted



Eave or Wall ducted

- Can be used with SEM 11, SEM 21, SEM 51
- Use semi-rigid or rigid ducting, not fully flexible foil ducting.
- Fewer bends means a quieter and more powerful extraction.
- Extra 3 years warranty when Sirius ducting is used (total 6 years).
- See [support page](#) on Sirius website for installation videos and FAQs.

08/2021

WARNING: technical specifications and product sizes can be varied by the manufacturer, without notice. Cut outs for appliances should only be by physical product measurements. The above information is indicative only.

Distributed by Arisit Pty Ltd

40-50 Mark Anthony Drive, Dandenong South VIC 3175

Ph: 1300 762 219

Fax: 03 9768 0838

Website: [www.arisit.com](http://www.arisit.com)

[www.siriusbrand.com](http://www.siriusbrand.com)