

SLTC107 G 900

90CM RANGEHOOD



let's get
Sirius
with rangehood design



SLTC107 G 900

Features and Benefits:

DESIGNER CANOPY RANGE	Sleek and Contemporary Design with superior power and performance
LED STRIP LIGHTING	Energy efficient with Better illumination of cooking area and a Longer life span than standard globes. Modern aesthetic Look
BAFFLE FILTERS	18/10 Grade stainless steel 25mm Baffle filters
INDUCTION COUNTDOWN CONTROL	10 minute auto function used at the end of cooking to reduce condensation build up common to induction cooking
EBM MOTOR OPTIONS	Single Aluminium EBM motor
CLEAN FILTER INDICATOR	Takes the guessing game out of maintaining your hood
MADE IN ITALY	Units are designed specifically for the Australian market and manufactured in Italy by dedicated boutique specialist manufacturer
WARRANTY	Warranty is 4 years only when Sirius ducting is used. Sirius strongly recommend to use the correct ducting as to not void warranty and to achieve the ideal result

Distributed by Arisit Pty Ltd

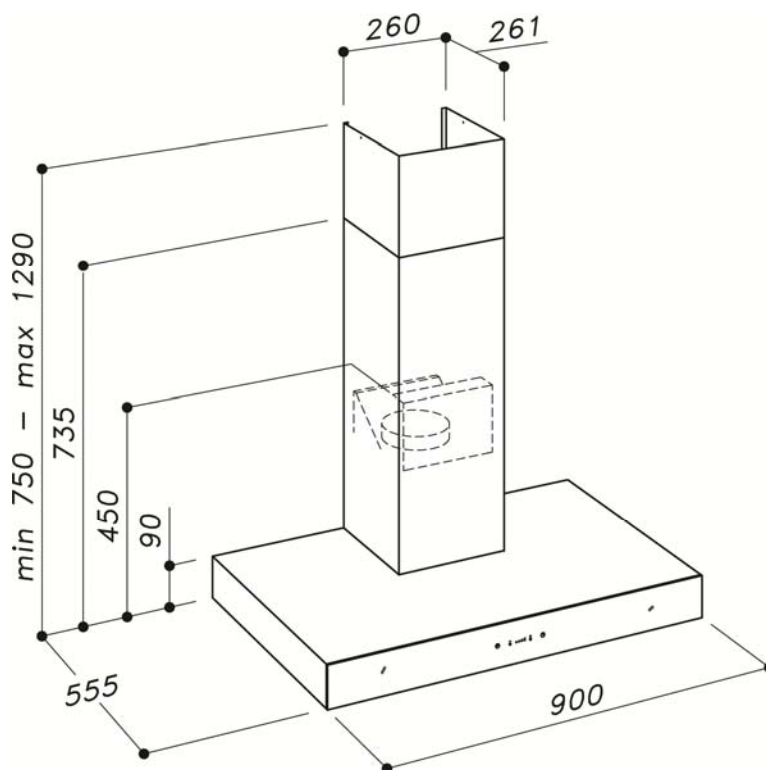
40-44 Mark Anthony Drive, Dandenong South VIC 3175 Ph: 1300 762 219 Fax: 03 9768 0838 Website: www.arisit.com

SLTC107 G 900

90CM RANGEHOOD



let's get
Sirius
with rangehood design



Technical Specifications:

MODEL	SLTC107 G 900
CONTROL PANEL	ELECTRONIC CONTROL
MOTOR	SINGLE ALUMINIUM EBM
EXTRACTION	1020m ³ /h
DUCTING DIAMETER	150mm
LIGHTS	2 x 6W LED STRIP LIGHTING
FILTER	ALUMINIUM INTERNAL
ELECTRICAL REQUIREMENT	10A
PRODUCT DIMENSIONS	900 x 555 x 750-1290
WARRANTY	3 YEARS - 4 YEARS WHEN SIRIUS DUCTING IS USED

WARNING: technical specifications and product sizes can be varied by the manufacturer, without notice. Cut outs for appliances should only be by physical product measurements. The above information is indicative only.

Distributed by Arisit Pty Ltd

40-44 Mark Anthony Drive, Dandenong South VIC 3175 Ph: 1300 762 219 Fax: 03 9768 0838 Website: www.arisit.com