

SLTC 53120X

120CM HOOD



let's get
Sirius
with rangehood design



SLTC 53120X

Features and Benefits:

CANOPY DESIGN	Specially designed & custom built high power motors, minimises smoke and odours from living areas
HALOGEN LIGHTS	Energy efficient, Better illumination of cooking area, Longer life span than standard globes, Modern aesthetic
25MM COMMERCIAL STAINLESS STEEL BAFFLE FILTERS	Commercial design, Dishwasher safe, Designed for greatest air movement for maximum performance, Easy to fit and remove, Lifetime filters: last the life of the hood
INDUCTION COUNTDOWN CONTROL	10 minute auto function used at the end of cooking to reduce condensation build up common to induction cooking. 'C' shaped baffles eliminates moisture dripping onto cooking surface
LARGER DUCTING DIAMETER	Greater extraction and lower dB rating due to less air flow restriction
CLEAN FILTER INDICATOR	Takes the guessing game out of maintaining your hood
MADE IN ITALY—GERMAN MADE MOTORS	Units are designed specifically for the Australian market and manufactured in Italy by dedicated boutique specialist manufacturer

Distributed by Arisit Pty Ltd

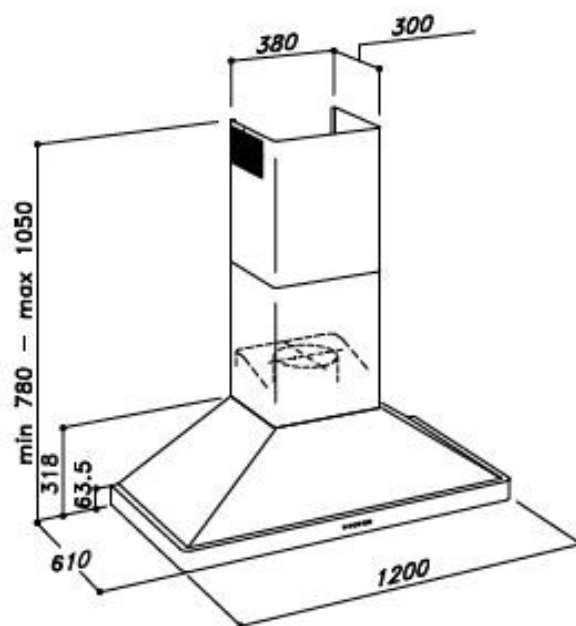
40-44 Mark Anthony Drive, Dandenong South VIC 3175 Ph: 1300 762 219 Fax: 03 9768 0838 Website: www.arisit.com

SLTC 53120X

120CM HOOD



let's get
Sirius
with rangehood design



Technical Specifications:

MODEL	SLTC 53120X
CONTROL PANEL	ELECTRONIC CONTROL
MOTOR	TWIN ALUMINIUM
EXTRACTION	2400m/3h
DUCTING DIAMETER	200mm
LIGHTS	2 x 20W HALOGEN
FILTER	10mm STAINLESS STEEL BAFFLE
ELECTRICAL REQUIREMENT	10A
PRODUCT DIMENSIONS	1200 x 610 x 780-1050

WARNING: technical specifications and product sizes can be varied by the manufacturer, without notice. Cut outs for appliances should only be by physical product measurements. The above information is indicative only.

Distributed by Arisit Pty Ltd

40-44 Mark Anthony Drive, Dandenong South VIC 3175 Ph: 1300 762 219 Fax: 03 9768 0838 Website: www.arisit.com