

SLTC 81 900

90CM RANGEHOOD



let's get
Sirius
with rangehood design



SLTC 81 900

Features and Benefits:

DESIGNER CANOPY RANGE	Sleek and Contemporary Design with superior power and performance
LED STRIP LIGHTING	Energy efficient with Better illumination of cooking area and a Longer life span than standard globes. Modern aesthetic Look
PERIMETRICAL EXTRACTION	Designed to increase airflow. Stainless steel panel with aluminium internal filter
INDUCTION COUNTDOWN CONTROL	10 minute auto function used at the end of cooking to reduce condensation build up common to induction cooking
EBM MOTOR OPTIONS	Single Aluminium EBM motor
CLEAN FILTER INDICATOR	Takes the guessing game out of maintaining your hood
MADE IN ITALY	Units are designed specifically for the Australian market and manufactured in Italy by dedicated boutique specialist manufacturer

Distributed by Arisit Pty Ltd

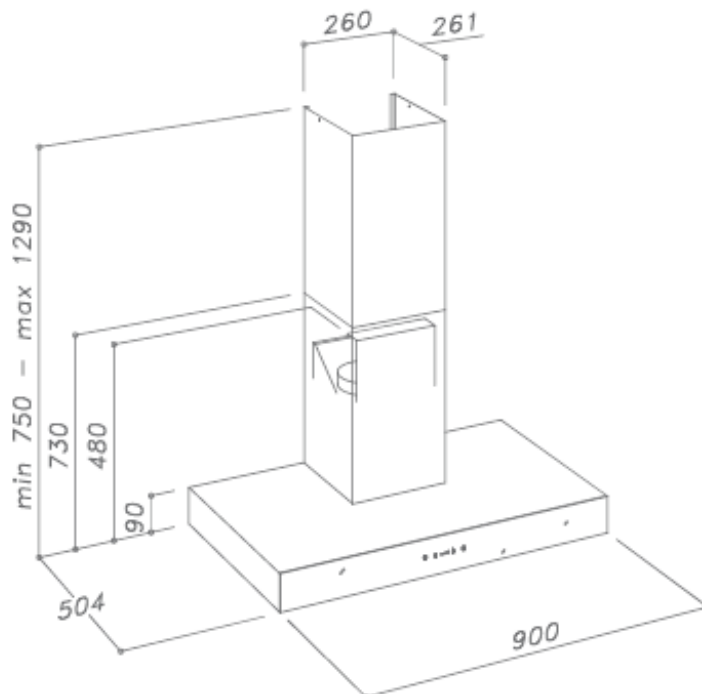
40-44 Mark Anthony Drive, Dandenong South VIC 3175 Ph: 1300 762 219 Fax: 03 9768 0838 Website: www.arisit.com

SLTC 81 900

90CM RANGEHOOD



let's get
Sirius
with rangehood design



Technical Specifications:

MODEL	SLTC 81 900
CONTROL PANEL	ELECTRONIC CONTROL
MOTOR	SINGLE ALUMINIUM EBM
EXTRACTION	1020m ³ /h
DUCTING DIAMETER	150mm
LIGHTS	2 x 6W LED STRIP LIGHTING
FILTER	ALUMINIUM INTERNAL
ELECTRICAL REQUIREMENT	10A
PRODUCT DIMENSIONS	900 x 504 x 750-1290

WARNING: technical specifications and product sizes can be varied by the manufacturer, without notice. Cut outs for appliances should only be by physical product measurements. The above information is indicative only.

Distributed by Arisit Pty Ltd

40-44 Mark Anthony Drive, Dandenong South VIC 3175 Ph: 1300 762 219 Fax: 03 9768 0838 Website: www.arisit.com