



**Congratulations on your purchase!  
Thank you for choosing a Sirius product.**

## **SLTC919**

### UNDERMOUNT RANGEHOOD INSTALLATION INSTRUCTIONS

SLTC919 520  
SLTC919 580

EAN # 9351116002244  
EAN # 9351116002251



## BEFORE YOU INSTALL - DUCTING INFORMATION

Sirius warranty covers only Sirius product. If you choose to install a non-Sirius branded accessory such as flexible ducting, Sirius will only warrant the rangehood and motor. If installation is found to be the cause of failure or issue then charges will apply for service and parts.

Flexible ducting is not permitted under any circumstances. Flexible ducting has been found to increase noise levels, increase vibration and reduce airflow. Sirius Semi-rigid or solid ducting can be used in lieu. There is a range available to suit any application.



**The appliance must be installed and connected to the power supply only by a qualified technician.**

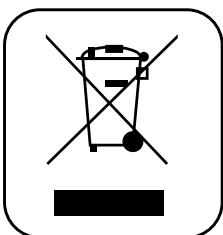
- There should be adequate ventilation of the room when the rangehood is used at the same time as appliances burning gas or other fuels (not applicable to appliances that only discharge the air back into the room)
- The details concerning the method and frequency of cleaning
- There is a fire risk if cleaning is not carried out in accordance with the instructions;
- Do not flambé under the range hood;
- CAUTION: Accessible parts may become hot when used with cooking appliances.

**Ducting available at [www.siriusbrand.com](http://www.siriusbrand.com)**

**6 Year Warranty when Sirius Ducting is used. Full replacement warranty on parts and labour. See website for terms & conditions.**

**A reduction in the duct diameter from stated ducting size will void warranty.**

If you are in doubt about the ducting, please contact Sirius on 1300 762 219 prior to installation



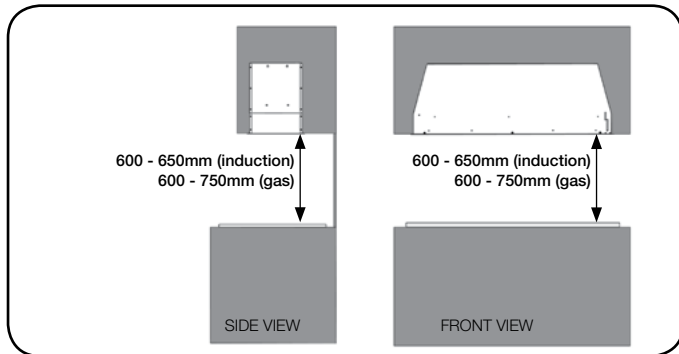
The symbol on the product or on its packaging indicates that this product may not be treated as household waste. Instead it shall be handed over to the applicable collection point for the recycling of electrical and electronic equipment. By ensuring this product is disposed of correctly, you will help prevent potential negative consequences for the environment and human health, which could otherwise be caused by inappropriate waste handling of this product. For more detailed information about recycling of this product, please contact your local city office, your household waste disposal service or the shop where you purchased the product. This appliance is marked according to the European directive 2002/96/EC on waste electrical and electronic equipment (WEEE).



**Min. 600mm - Max. 650mm** for induction cooktops.


**Min. 600mm - Max. 750mm** gas cooktops.


If the rangehood is positioned above the max height recommended, warranty may be compromised as performance of the rangehood will be affected. Measurement is taken from the top of the trivets to the underside of the hood. (Fig.1)



(Fig. 1)

- The air being drawn can't be conveyed through or into a duct used to let out fumes from appliances fed by energy other than electric power (eg. centralized heating, radiators, water heaters, etc.).
- Attention: remove any possible PVC film from the stainless steel, including the filters.
- To externally vent, please comply with the pertaining rules given by competent authorities.
- Provide the room with an adequate ventilation when a rangehood and appliances fed by energy other than electric power (gas, oil, or coal stoves, etc.) are used simultaneously. The rangehood, when evacuating the air, could generate a negative pressure in the room which can't exceed the limit of 0.04 mbar, in order to avoid the suck of exhausts deriving from the heat source. Therefore the room should be provided with air intakes to allow a constant flow of fresh air.

If the rating label in the rangehood shows the symbol , the appliance is built in class II° and it **does not need** any earth connection.

If the rating label in the rangehood does not show the symbol , the appliance is built in class I° and it **needs** the earth connection.

When performing the electrical connections on the appliance, please make sure that the current-tap is provided with earth connection and that voltage values correspond to those indicated on the label placed inside the appliance itself.

Before carrying out any cleaning or maintaining operations, the appliance needs to be switched off. If the appliance is not provided with a non-separable

flexible cable and plug, or with another device ensuring omnipolar disconnections from the grid, with an opening distance between the contacts of at least 3mm, then such disconnecting devices must be supplied within the fixed installation.

If the fixed appliance is endowed with a supply cord and a plug, the appliance has to be put in a place where the plug can be reached easily.

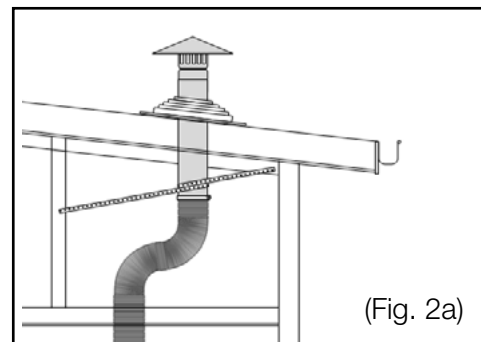
The use of materials which can burst into flames should be avoided in close proximity of the appliance. When frying, please pay particular attention to fire risk due to oil grease. Being highly flammable, hot oil is especially dangerous. Do not use uncovered electric grills. In order to avoid possible fire risk, all instructions for grease-filter cleaning and for removing eventual grease deposits should be strictly followed.

When ducting rangehood, options are as follows:

### Roof vent - EASYROOF 150T/M

\*Kit includes roof flashing

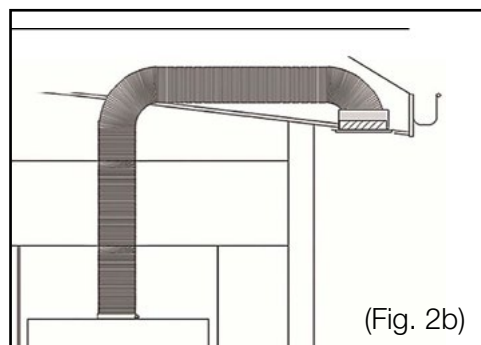
[Download installation guide](#)



(Fig. 2a)

### Eave vent - EASYEAVE 150

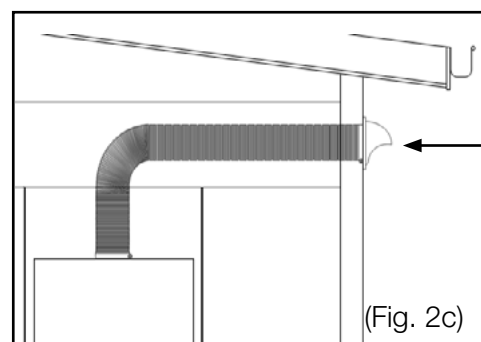
[Download installation guide](#)



(Fig. 2b)

### Wall vent - EASYWALL 150

[Download installation guide](#)



(Fig. 2c)

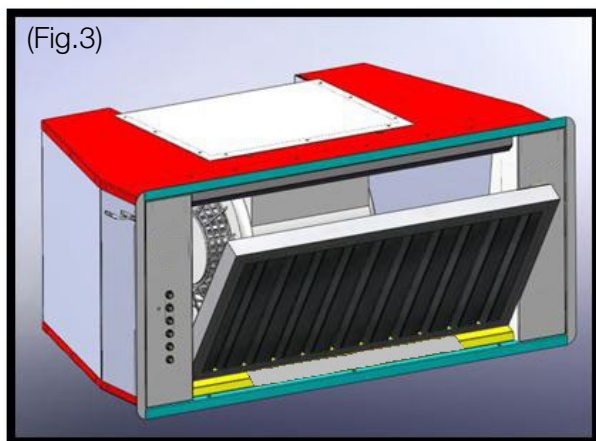
Dome featured on 200mm kit only

## SLTC919 INSTALLATION



**Before installing the appliance, make sure that none of the parts are damaged in any way. In case of damaged parts, contact your retailer and do not proceed with installation. Read all of the following instructions with care before installing the appliance.**

- 10AMP GPO required at head unit.
- Use ducting within the min/max specifications
- Limit the number of ducting bends.
- Do not make any changes in ducting diameter (recommended constant diameter: Ø 150 mm or equal surface area).

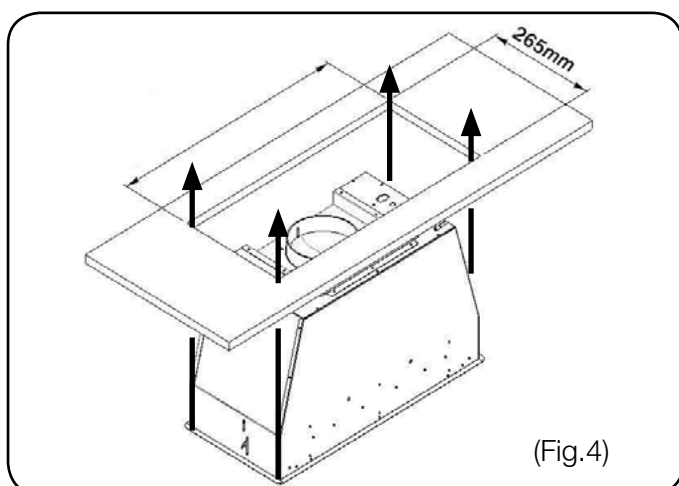


Remove the grease filters before installing the product, in order to avoid to damage the appliance. Open the glass by rotating it as shown in fig. 3; then remove the grease filters by acting on their specific handle and rotate them to remove them from their seating.

Make an opening on the kitchen cabinet bottom of the following sizes:

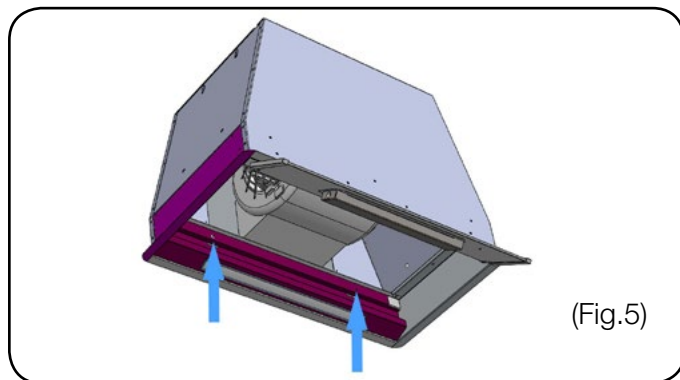
**SLTC919 520: 265mm x 498mm**

**SLTC919 850: 265mm x 835mm**

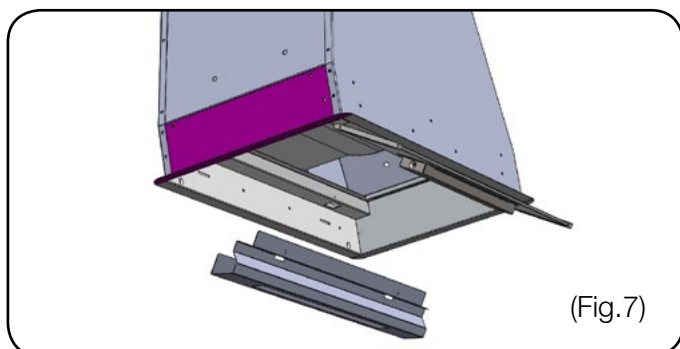
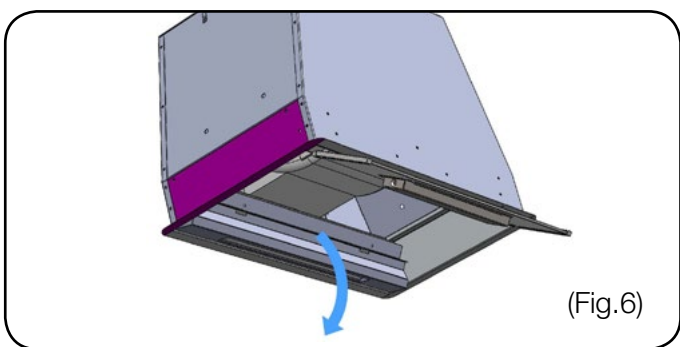


To install the appliance please respect the follow instructions:

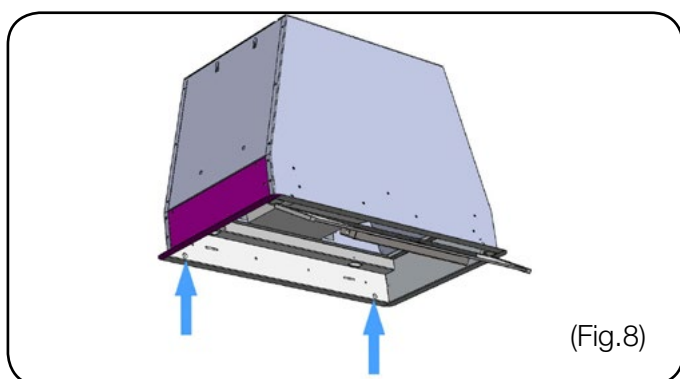
- The appliance must be installed by qualified technicians, or where possible use a Sirius recommended installer. See [siriusbrand.com](http://siriusbrand.com). In order to avoid damage to the electronic parts of the appliance, please do not use additional screws.
- Essential precautions to respect before installing the appliance are the following:  
To have made a cutout on the bottom of the cabinet which is suitable to hold the appliance in position (fig. 4):
- Prepare the power supply - 240 volt.
- Prepare a hole for the ducting - 160 mm diameter.
- Maximum length of ducting should not exceed 7 metres to atmosphere.
- Do not use screws to fix the outlet pipe to the rangehoods as they will prevent the movement of non-return valves.
- Limit the number of elbows in the ducting, since each elbow reduces the duct efficiency by 1 metre. (i.e. if you use two 90° elbows, the length of ducting must not exceed 5 metres.)
- Avoid abrupt direction changes.
- Use 150mm constant diameter ducting for the whole length for the single motor.
- **The use of Sirius ducting will increase the warranty of the unit to 4 years.**



- Rotate the steel bar, including the LED bar, to remove it from its seating (Fig. 6 - 7). You can electronically disconnect the bar by disconnecting the specific connector.



- Place the appliance inside the cabinet and fix it by inserting the screws supplied into the holes, as shown in Fig.8.



- Refit the stainless steel bar previously removed, connect the LED bar electrically by means of the specific connector, and then refit the grease filter.



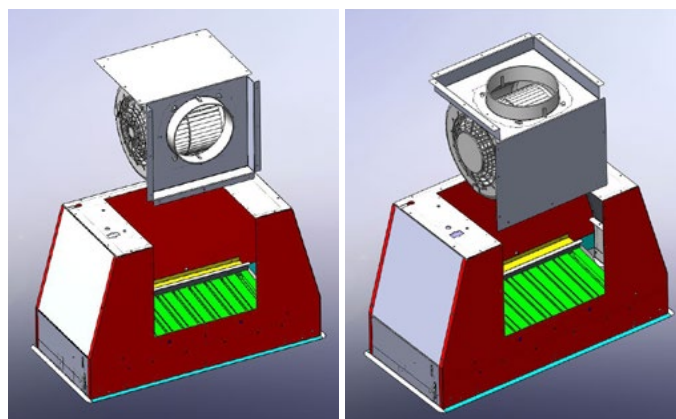
**Before connecting any ducting to the motor, make sure the non-return valves - which are on the air outlet of the motor - can swing open.**

#### External venting

- Connect the flange to the exhaust hole with the appropriate ducting. Connect the rangehood with the electrical mains through the supply cord.

#### Rear vented version

- All the models with one motor can be rear vented; if the customer wants to use this option, it is necessary to remove the 18 screws from the motor group support. Then take the metal support with motor included out (fig.7a). Turn the motor to have the air outlet on the rear side (fig.7b) and fix the screws previously removed.



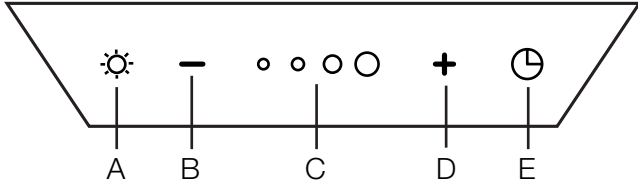
(Fig.7a)

(Fig.7b)

## OPERATION

### SLTC919 series

- A: Light switch on/off
- B: Motor OFF / Reduce speed
- C: Fan-speed indicator
- D: Motor ON / Increase speed
- E: 10 minute shut-off timer



If the electrical power supply to the product SLTC is cut, 15 seconds are needed for self-diagnostics after the functions are restored.

Internal motor models, with maximum air capacity higher than 650m<sup>3</sup>/h, are equipped with a timer device that automatically switches the suction speed from 4th to 3rd speed, after 5 minutes of operation.

The energy consumption of the appliance in standby mode is lower than 0.5W.

## MAINTENANCE

- Accurate maintenance guarantees good functioning and long-lasting performance.
- Particular care is due to the grease filter panel. It can be removed by pushing its handle toward the back side of the rangehood and pulling the filter downwards so to unfasten it from its slot (Fig.3). To insert the filter just perform the opposite operation.
- After 30 hours of operation, the push button control panel will flash, signaling the filters are due for cleaning. Press the timer button to reset. ⌚
- The grease filter needs cleaning by regular handwashing or in dishwashers every two months at least, depending on its use.
- To clean the appliance itself, water and detergent are recommended, while abrasive products should be avoided. For steel appliances specialized detergents are recommended (please follow the instructions indicated on the product itself to obtain the desired results).

### LED Bar replacement

To remove the LED, it is recommended to remove the steel bar as shown in Fig.6 and 7, then disengage the LED bar by acting on the specific fastening springs. Replace the LED bar with one of the same characteristics.  
Refit the Steel bar.

**If the supply cord is damaged, it must be replaced by the manufacturer or its service agent or a similarly qualified person in order to avoid a hazard.**

## WARRANTY INFORMATION



# Sirius

Dear Customer,

Thank you for choosing this Sirius Rangehood.

We are sure that it will provide you with many years of excellent service. At Arisit Pty Limited we are dedicated to ensuring that our customers receive the best possible after-sales care.

The Sirius 'Protection Plan' has been devised to give you added peace of mind. Should you encounter any problems with your appliance, our nationwide team of specially trained technicians will deal with your call swiftly and efficiently.

### PRIORITY SERVICE, ACCESSORIES & SPARE PARTS

#### AUSTRALIA

ARISIT PTY LIMITED  
40-50 Mark Anthony Drive, Dandenong South,  
VIC 3175, Australia  
**Phone: 1300 762 219**  
Email: [consumer.care@arisit.com](mailto:consumer.care@arisit.com)

#### NEW ZEALAND

ARISIT PTY LIMITED  
1A Howe Street, Newton,  
Auckland 1145, New Zealand  
**Phone: (09) 306 1020**  
Email: [sales@aristonappliances.co.nz](mailto:sales@aristonappliances.co.nz)

## Warranty

By registering your ownership NOW, you qualify for Sirius's Total Peace of Mind Protection Plan.

### Australian & New Zealand 3 / 6 Year Protection Plan\*

This guarantees your appliance for a full 3 years parts and labour & 10 years for the off-board motors (covering manufacturing defects only) from the date of purchase, subject to the Terms and Conditions overleaf.

**\*3 Year warranty is extended to a 6 year period only when Sirius ducting is installed.**

 **Year Warranty**  
when Sirius ducting is used\*  
[www.siriusbrand.com](http://www.siriusbrand.com)

# Your Warranty

Register now to qualify.

## Terms & Conditions

These Terms and Conditions apply only to Sirius products distributed in Australia and New Zealand by Arisit Pty Limited.

1. This warranty applies for a period of 3 years on all products.
  - a) Warranty is extended to a 6 year period when Sirius ducting is installed.
  - b) All off-board motors are covered under warranty for a 10 year period for manufacturing defects only.
2. Warranty applies for parts and labour in Australia and New Zealand, commencing from date of purchase.
3. This warranty applies only to the original purchaser/hire purchaser of this appliance and cannot be assigned or transferred. Failure to produce documentary proof of the date of original acquisition by the original purchaser will result in a charge being levied for work done, labour and parts supplied.
4. This warranty does not apply to:
  - a) Consumable items such as filters, fuses, and light bulbs.
  - b) Damage to body work, paint work, glass, and plastic items (such as, but not limited to windows, covers, baskets, trays, worktops, door handles, control and kick panels.)
  - c) Corrosion & rust damage.

A fee may be charged following warranty claims where no fault is found with the appliance.

5. This warranty will not apply where:
  - a) The fault is caused by accident, misuse, an infestation of insect and or vermin, fire, flood or the use of products not approved by Arisit Pty Limited.
  - b) There has been a failure to comply with the manufacturer's operating and installation instructions.
  - c) Service, modification or repair has been carried out by anybody other than an approved Arisit Service Technician.
  - d) The appliance has been used/ installed anywhere other than a private dwelling, or where it has been used other than for domestic use.
  - e) The appliance is subject to a rental agreement.
6. Any defective part that has been replaced becomes the property of Arisit Pty Limited.
7. This warranty applies only to Sirius appliances purchased and installed in Australia and New Zealand.
8. Loss of use of the appliance or consequential loss of any nature is not covered.
9. A charge may be levied at the discretion of Arisit Pty Limited if the call is deemed unnecessary or if the cause of failure is traced to external sourced such as, but not limited to: blown fuses, power failure, faulty installation, customer misuse or negligence, etc
10. Where the appliance, the subject of a warranty claim or repair, is used or installed more than TWENTY (20) kilometres from the nearest Arisit Service Division or Authorised Service Agent, the cost of delivery to the nearest Service

Division or travel costs for a technician or Authorised Service Agent shall be for the account of the Purchaser. Where a built-in appliance is located or installed outside the Arisit Authorised Service Agent's normal service area, additional travel and labour costs shall be the account of the Purchaser.

11. Service is offered during normal business hours only, also appliances to have a clear access in a serviceable area
  12. Arisit Pty Limited shall not under any circumstances be responsible in terms of this warranty for the replacement or repair of any part of the equipment which may have been damaged in transit, during and after installation or imperfections after installation.
  13. Losses caused by act of God, failure to obtain spare parts, strikes or lockouts are not covered.
  14. External off board motors must be installed a minimum of 2 metres and maximum of 7 metres away from the rangehood. This is for optimum sound and performance.
  15. All motors must be accessible for servicing purposes and if installed above 2 metres from ground height additional cost will be incurred due to OH&S standards for service agents. Prior to install please check minimum & maximum installation details on the Sirius website, FAQ under support tab.
- We reserve the right to amend any of the above without prior notice.
16. This warranty does not affect your statutory rights.

To register for your warranty, please visit:

[www.arisitwarranties.com.au/Customer-Registration.aspx](http://www.arisitwarranties.com.au/Customer-Registration.aspx)

or scan the QR code.



**ARISIT PTY LIMITED** (Australia)

AEBN 23 091 515 294

40-50 Mark Anthony Drive  
Dandenong South VIC 3175

**P:** Sales & Service: 1300 762 219

**F:** Sales & Service: (03) 9768 0838

**E:** [arisit@arisit.com](mailto:arisit@arisit.com)

**ARISIT PTY LIMITED** (New Zealand)

1A Howe Street Newton, Auckland 1145

PO Box 68-140 Newton, Auckland 1145

**P:** (09) 306 1020 - Fax: (09) 302 0077

**E:** [sales2@aristonappliances.co.nz](mailto:sales2@aristonappliances.co.nz)

[www.arisit.com](http://www.arisit.com)

[www.siriusbrand.com](http://www.siriusbrand.com)

**6 Year  
Warranty**

**when Sirius ducting is used.**

Full replacement warranty on parts and labour. Check website for T&Cs.

**10 year warranty on SEM motors.**

Sirius Hoods and ducting products are only available from our select group of Sirius Professional Stockists nationwide. For the latest list of Sirius Stockists near you, please refer to [www.siriusbrand.com](http://www.siriusbrand.com)

All efforts have been made to ensure that the information provided in this brochure is correct at the time of printing. Due to continuous product improvement and ongoing development, Sirius reserves the right to make changes to the products and technical data without prior notice. Some products appearing in this brochure may be for illustrative purposes only. Diagrams are indicative measures only. Prior to commencing cabinetry cutouts the operating/installation instructions accompanying the product must be referred to at [www.siriusbrand.com](http://www.siriusbrand.com)