

SLTC EM 85 G 900 (BLACK GLASS) 90CM RANGEHOOD



let's get
Sirius
with rangehood design



SLTC EM 85 G 900

Features and Benefits:

| | |
|--|--|
| DESIGNER CANOPY RANGE | Sleek and Contemporary Design with superior power and performance |
| LED STRIP LIGHTING | Energy efficient with Better illumination of cooking area and a Longer life span than standard globes. Modern aesthetic Look |
| 10MM COMMERCIAL STAINLESS STEEL BAFFLE FILTERS | Commercial design, Dishwasher safe, Designed for greatest air movement for maximum performance, Easy to fit and remove, lifetime filters: last the life of the hood |
| INDUCTION COUNDOWN CONTROL | 10 minute auto function used at the end of cooking to reduce condensation build up common to induction cooking. 'C' shaped baffles eliminates moisture dripping onto cooking surface |
| SEM MOTOR OPTIONS | SEM1 or SEM2 option for ultra quiet operation |
| CLEAN FILER INDICATOR | Takes the guessing game out of maintaining your hood |
| MADE IN ITALY | Units are designed specifically for the Australian market and manufactured in Italy by dedicated boutique specialist manufacturer |

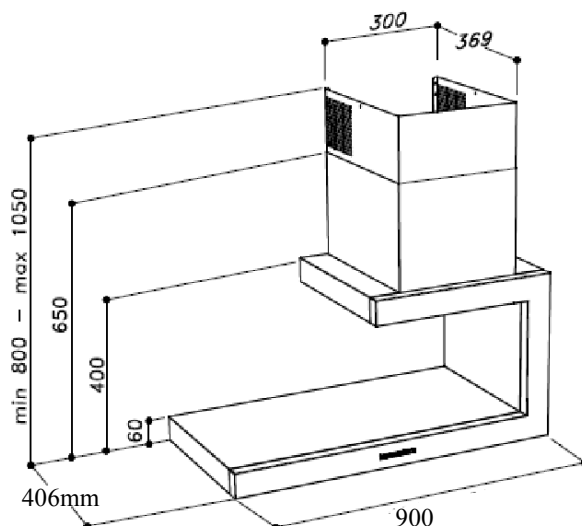
Distributed by Arisit Pty Ltd

40-44 Mark Anthony Drive, Dandenong South VIC 3175 Ph: 1300 762 219 Fax: 03 9768 0838 Website: www.arisit.com

SLTC EM 85 G 900 (BLACK GLASS) 90CM RANGEHOOD



let's get
Sirius
with rangehood design



Technical Specifications:

| | |
|-------------------------------|------------------------------|
| MODEL | SLTC EM 85 G 900 (BLK Glass) |
| CONTROL PANEL | ELECETRONIC CONTROL |
| MOTOR | SEM 1 SEM 2 |
| EXTRACTION | 1200m ³ /h |
| DUCTING DIAMETER | 150mm |
| LIGHTS | 2 x 6W LED STRIPL LIGHTING |
| FILTER | 10mm STAINLESS STEEL BAFFLE |
| ELECTRICAL REQUIREMENT | 10A |
| PRODUCT DIMENSIONS | 900 x 406 x 870 - 1160 |

WARNING: technical specifications and product sizes can be varied by the manufacturer, without notice. Cut outs for appliances should only be by physical product measurements. The above information is indicative only.

Distributed by Arisit Pty Ltd

40-44 Mark Anthony Drive, Dandenong South VIC 3175 Ph: 1300 762 219 Fax: 03 9768 0838 Website: www.arisit.com