

520mm ONBOARD UNDERMOUNT RANGEHOOD - SINGLE MOTOR

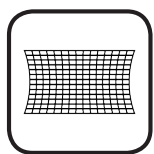
SM905 520



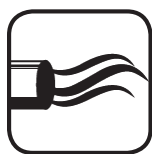
Rangehood type	Undermount
Control	Button
Speed settings	4
Ducting diameter	150mm
Extraction type	Onboard motor
Motor	Single aluminium motor
Extraction	650m ³ /h
Filter	Commercial stainless mesh
Lighting	2 x 20W Halogen strip
Induction Countdown Control	No
Dimensions* (mm)	W520 x D283 x H308
Cut-out dimensions (mm)	W496 x D260
Warranty	3 years (6 years when Sirius ducting is used)



SINGLE MOTOR



COMMERCIAL MESH FILTERS



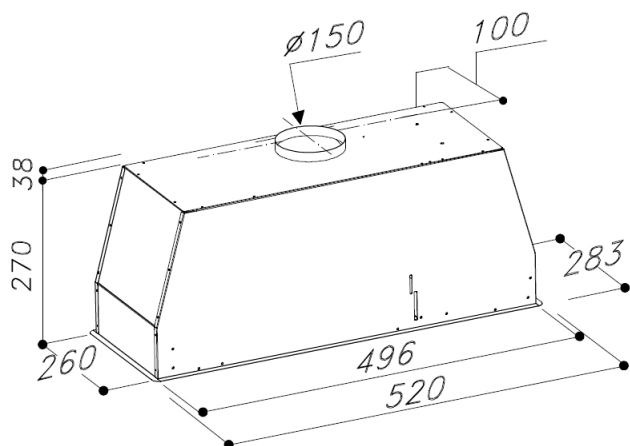
650m³/h AIRFLOW



HALOGEN LIGHTING

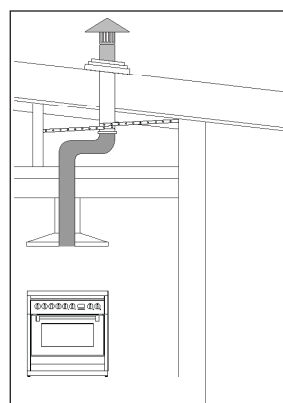


HANDCRAFTED IN ITALY

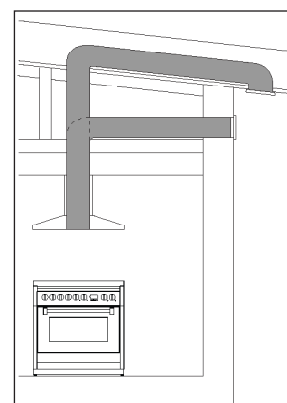


*Product dimension includes trim

Ducting options



Roof ducted



Eave or Wall ducted

- Use semi-rigid or rigid ducting, not fully flexible foil ducting.
- Fewer bends means a quieter and more powerful extraction.
- Extra 3 years warranty when Sirius ducting is used (total 6 years).
- See [support page](#) on Sirius website for installation videos and FAQs.

WARNING: technical specifications and product sizes can be varied by the manufacturer, without notice. Cut outs for appliances should only be by physical product measurements. The above information is indicative only.

Distributed by Arisit Pty Ltd