

Installation guide for SEM 5 motor

BEFORE YOU INSTALL

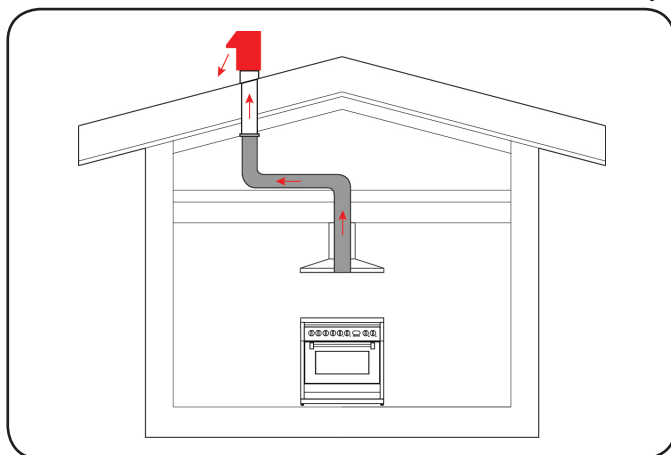
This installation should only be performed by a qualified tradesperson. Where possible, use a trained Sirius recommended installer (see Siriusbrand.com). Sirius will not be held responsible for issues that occur due to installation of product by an unqualified tradesperson.



- Motor must be accessible for servicing purposes. If not, servicing may be refused unless access can be provided.
- The ducting of the rangehood must not be connected to ducting which is used for exhausting other fumes from appliances, such as central heating, boilers etc.
- For the external exhausting of the fumes, comply with the Australian building standards.
- Ventilate the room suitably according to the Australian building standards when the appliance is working together with gas or oil appliances.
- The SEM motor is powered by the rangehood. Standard 10AMP GPO at the point of rangehood required.
- Before connecting the rangehood to the mains supply, make sure that the voltage indicated in the rating plate corresponds to the mains voltage in the home.
- Before carrying out any sort of maintenance or cleaning operation, make sure that the appliance is disconnected from the electrical mains.

IMPORTANT INFORMATION BEFORE INSTALLATION IN YOUR SIRIUS RANGEHOOD

- Only use ducting that falls within the necessary minimum and maximum length requirements as specified in the installation guide.
- Try and minimise bends to the ducting for optimum performance.
- Use only suitable ducting as specified by Sirius. Under no circumstances is flexible ducting to be used as it creates unwanted noise, vibration and can place the motor under unnecessary stress resulting in premature failure of the SEM motor.
- Under no circumstances is the duct diameter to be reduced. A constant minimum diameter of 150mm for the SEM 1 / 2 / 5 must be maintained at all times. For SEM 7 / 8 motors a constant diameter of 200mm must be maintained at all times.
- Read the mounting and operating instructions of the rangehood carefully.
- The manufacturer cannot be held responsible for a decrease of the airflow or for an increase of noise level caused by non-compliance with the instructions above.



SEM5 MOTOR

The SEM 5 motor is designed to extract fumes and odours silently and effectively. It must be installed on the roof of the building and connected to the rangehood to draw power,

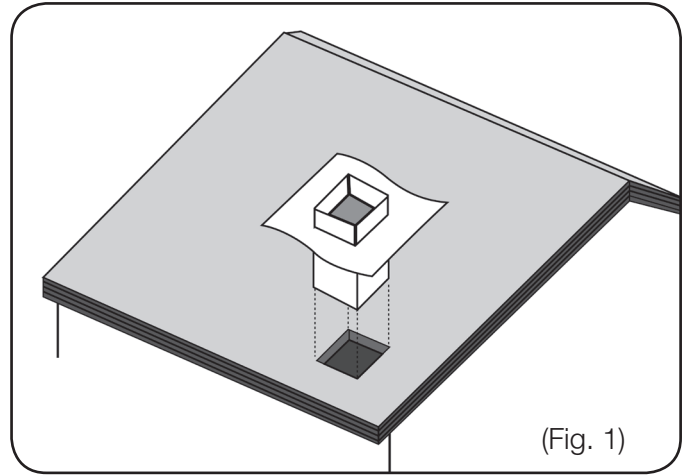
Motor location

- Please note: The SEM 5 motor be installed at a minimum distance of 2 metres from the outlet collar of the rangehood. A maximum of 7metres must not be exceeded. All SEM5 motora come fitted with a 7metre long control cable that connects back to the rangehood.

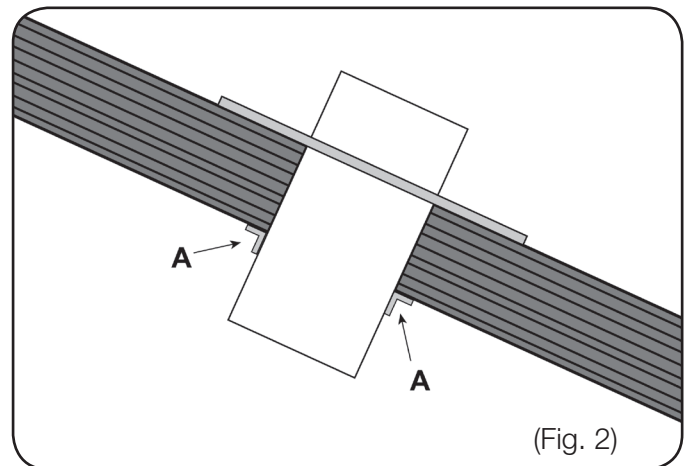
Installation - Metal roof

We strongly advise using a Sirius Recommended Installer or qualified roof plumber - Sirius will not be held responsible for any ongoing issues regarding an unqualified tradesperson being used.)

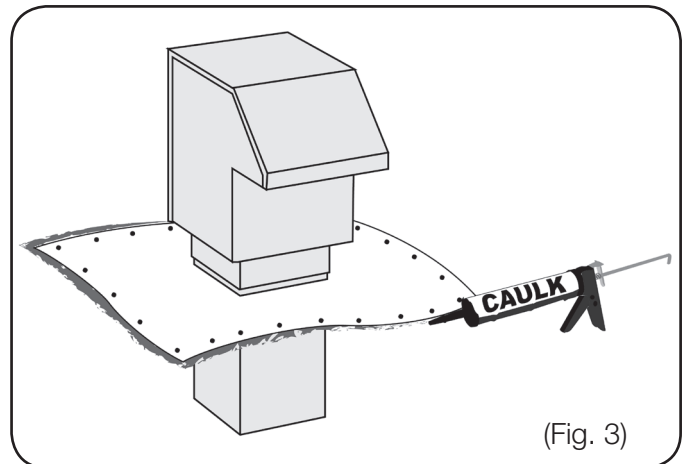
1. Make a 220mm x 220mm hole in the metal roof to house the main steel section of the motor. (Fig. 1)
2. Insert the lower section of the SEM motor into the 220 x 220 pre-cut hole. (Fig. 2)
3. From inside the roof cavity fix the two brackets (A) tight up against the lower section of the SEM 5 motor so that it is firmly in place. These brackets will prevent the motor from leaning over and making the motor unsecure during high winds.
4. Fix the rubber flashing firstly by pressing the rubber to the roof, making sure that no large gaps are left.
5. Using metal roofing screws, fix the flashing to the roof securely. Screws are not supplied with the motor. Then, using a weatherproof silicone sealant, seal all the way around the flashing making sure that all gaps have been filled and are watertight (Fig. 3).
6. Fix the upper section of the SEM5 motor in place using the provided screws (B), making sure that the vent is on the lower side the pitch on the roof for best weather proofing. (Fig. 4)
7. From inside the roof cavity, fix a length of Sirius Ducting from the collar located in the lower side of the SEM5 motor and secure. Run the length of Sirius ducting to the location of the rangehood and secure to the collar on the hood and secure in place.
8. Run the cable from the motor to the rangehood and plug in the 6 pin plug to the top of the unit. There is a 2 pin plug that is the speed control that needs to be plugged in also, removal of the red capped dummy plug will expose the location. The motor must then be earthed to the body of the rangehood using the green and yellow cable by unscrewing one of the body screws, connecting the earth wire to the rangehood by tightening the screw back up. (Fig. 5)
9. The motor will draw power from the rangehood which is plugged into a 10AMP powerpoint located within 1 metre of the rangehood.



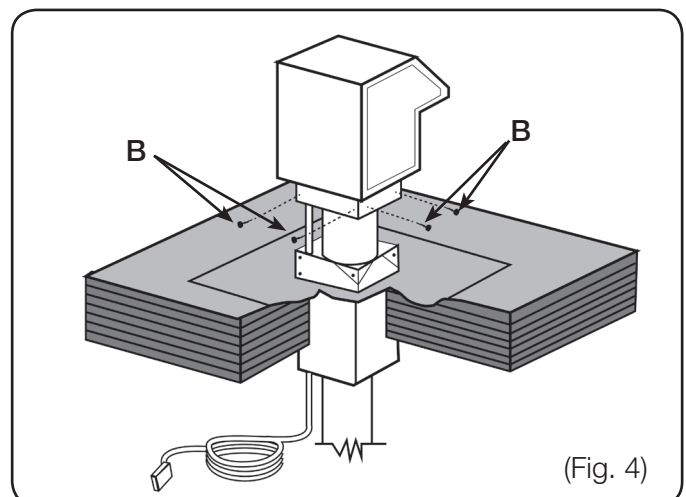
(Fig. 1)



(Fig. 2)



(Fig. 3)



(Fig. 4)

SEM5 MOTOR

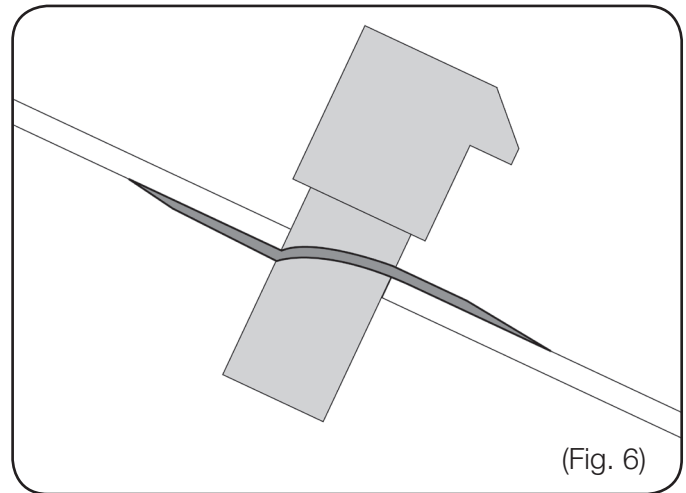
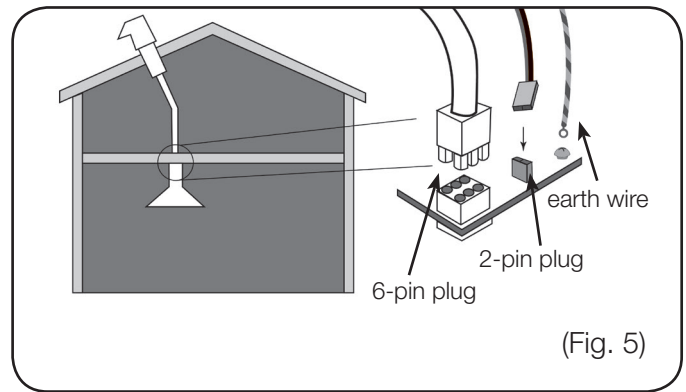
Motor location

- Please note: The SEM 5 motor be installed at a minimum distance of 2 metres from the outlet collar of the rangehood. A maximum of 7metres must not be exceeded. All SEM5 motors come fitted with a 7metre long control cable that connects back to the rangehood.

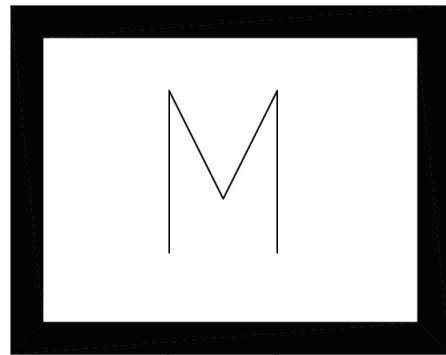
Installation - Tiled roof

We strongly advise using a Sirius Recommended Installer or qualified roof plumber - Sirius will not be held responsible for any ongoing issues regarding an unqualified tradesperson being used.)

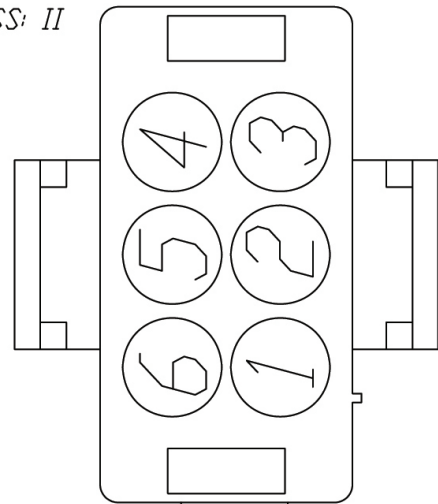
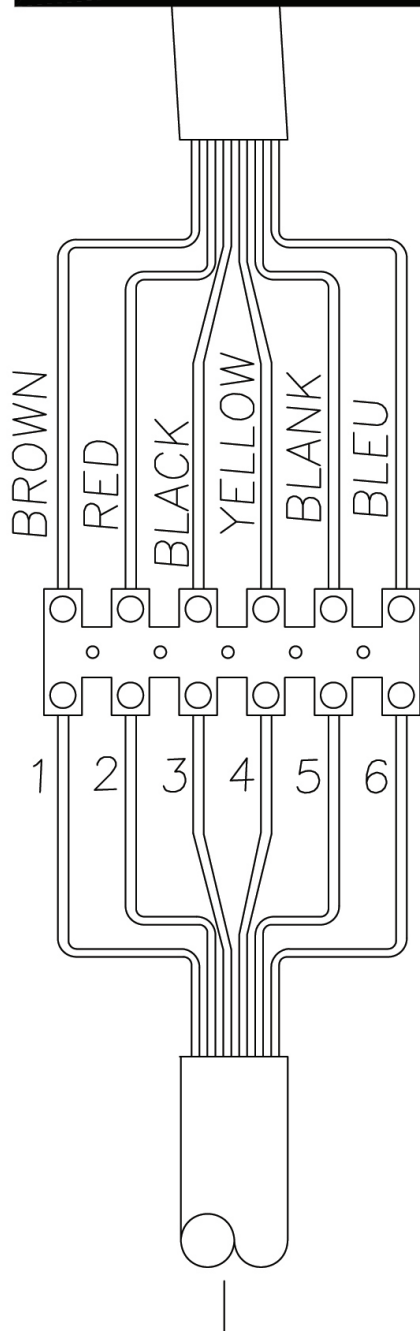
1. Remove a tile/tiles to expose a gap large enough to facilitate the 220mm x 220mm diameter of the lower section of the SEM5.
2. If needed, add additional bracing for batton to fix the supplied brackets to.
3. Insert the lower section of SEM 5 motor into the 220mm x 220mm hole. (Fig. 2)
4. From inside the roof cavity, fix the two brackets tight up against the lower section of the SEM5 motor so it is firmly in place. These brackets will prevent the motor from leaning over and making the motor unsecure during high winds. (Fig. 2)
5. Replace the tiles making sure if they have been cut as close to the 220mm x 220mm body of the SEM5 motor as possible.
6. The roof flashing is designed to have the high half of the flashing underneath the top row of tiles and the lower half of the flashing positioned on top of the lower row of tiles. Make sure that once the tiles have been replaced that they have been fitted tightly so as not to create leaks. Use a waterproof silicone sealant around the exposed section of the flashing and if need be, use additional sealant on the tile around the 220mm x 220mm section so as not to create leaks. (Fig. 6)
7. Fix the upper section of the SEM5 motor in place using the provided screws making sure that the vent is on the lower side of the pitch on the roof for best weather proofing. (Fig. 4)
8. From inside the roof cavity, fix a length of Sirius Ducting from the collar located in the lower side of the SEM5 motor and secure. Run the length of Sirius Ducting to the loaction of the rangehood and secure to the collar on the hood and secure in place.
9. Run the cable from the motor to the rangehood and plug in the 6 pin plug to the top of the unit. There is a 2 pin plug that is the speed control that needs to plugged in also, removal of the red capped dummy plug will expose the location. The motor must then be earthed to the body of the rangehood using the green and yellow cable by unscrewing one of the body screws, connecting the earth wire to the rangehood by tightening the screw back up. (Fig. 5)
10. The motor will draw power itself from the rangehood which is plugged into a 10AMP powerpoint located within 1 metre of the rangehood.



SEM5 MOTOR WIRING DIAGRAM



Motor type: GS50
NOMINAL POWER : 300W
AMPERE (I) : MAX 1.20A
INSULATION CLASS: B
PROTECTION CLASS: II



SIX POLES CONNECTOR

7 m