

# SLTC919 L 520

## 52CM CANOPY HOOD



let's get  
**Sirius**  
with rangehood design



### SLTC919 L 520

#### Features and Benefits:

UNDERMOUNT DESIGN	Streamline, modern and unobtrusive design, potentially allows greater use of cupboard space above hob- Fits into Standard 300mm cabinetry
LED LIGHTS	Energy efficient, Better illumination of cooking area, Longer life span than standard globes or Halogen, Modern aesthetic
COMMERCIAL STAINLESS STEEL BAFFLE FILTERS	Commercial design, Dishwasher safe, Designed for greatest air movement for maximum performance, Easy to fit and remove, Lifetime filters: last the life of the hood
INDUCTION COUNTDOWN CONTROL	10 minute auto function used at the end of cooking to reduce condensation build up common to induction cooking. 'C' shaped baffles eliminates moisture dripping onto cooking surface
LARGER DUCTING DIAMETER	Greater extraction and lower dB rating due to less air flow restriction
CLEAN FILTER INDICATOR	Takes the guessing game out of maintaining your hood
ELECTRONIC CONTROL	Easy to use touch control on fold-out glass fascia
MADE IN ITALY	Units are designed specifically for the Australian market and manufactured in Italy by dedicated boutique specialist manufacturer
WARRANTY	Warranty is 6 years only when Sirius ducting is used. Sirius strongly recommend to use the correct ducting as to not void warranty and to achieve the ideal result

**Distributed by Arisit Pty Ltd**

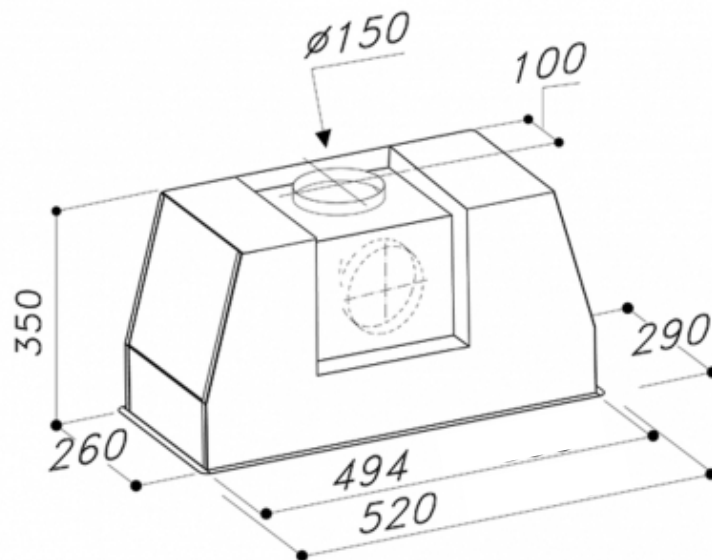
40-44 Mark Anthony Drive, Dandenong South VIC 3175 Ph: 1300 762 219 Fax: 03 9768 0838 Website: [www.arisit.com](http://www.arisit.com)

# SLTC919 L 520

## 52CM UNDERMOUNT HOOD



let's get  
**Sirius**  
with rangehood design



Rectangular opening: 265x498 (SL906 - 520)

### Technical Specifications:

<b>MODEL</b>	SLTC919 L 520
<b>CONTROL PANEL</b>	ELECTRONIC TOUCH CONTROL on GLASS FASCIA
<b>MOTOR</b>	SINGLE ALUMINIUM
<b>EXTRACTION</b>	1020m/3h
<b>DUCTING DIAMETER</b>	150mm
<b>LIGHTS</b>	6w strip LED Lighting
<b>FILTER</b>	STAINLESS STEEL BAFFLE
<b>ELECTRICAL REQUIREMENT</b>	10A
<b>PRODUCT DIMENSIONS</b>	520 x 260 X 350
<b>WARRANTY</b>	3 YEARS - 6 YEARS WHEN SIRIUS DUCTING IS USED

WARNING: technical specifications and product sizes can be varied by the manufacturer, without notice. Cut outs for appliances should only be by physical product measurements. The above information is indicative only.

**Distributed by Arisit Pty Ltd**

40-44 Mark Anthony Drive, Dandenong South VIC 3175 Ph: 1300 762 219 Fax: 03 9768 0838 Website: [www.arisit.com](http://www.arisit.com)