

# SLTCEM 86

## 80CM RANGEHOOD



let's get  
**Sirius**  
with rangehood design



## SLTCEM 86

### Features and Benefits:

DESIGNER CANOPY RANGE	Sleek and Contemporary Design with superior power and performance
LED STRIP LIGHTING	Energy efficient with Better illumination of cooking area and a Longer life span than standard globes. Modern aesthetic Look
ALUMINIUM INTERNAL FILTER	Dishwasher safe, Designed for greatest air movement for maximum performance, Easy to fit and remove
INDUCTION COUNTDOWN CONTROL	10 minute auto function used at the end of cooking to reduce condensation build up common to induction cooking. 'C' shaped baffles eliminates moisture dripping onto cooking surface
SEM MOTOR OPTIONS	SEM1, SEM2 or SEM5 option for ultra quiet operation
CLEAN FILTER INDICATOR	Takes the guessing game out of maintaining your hood
MADE IN ITALY	Units are designed specifically for the Australian market and manufactured in Italy by dedicated

**Distributed by Arisit Pty Ltd**

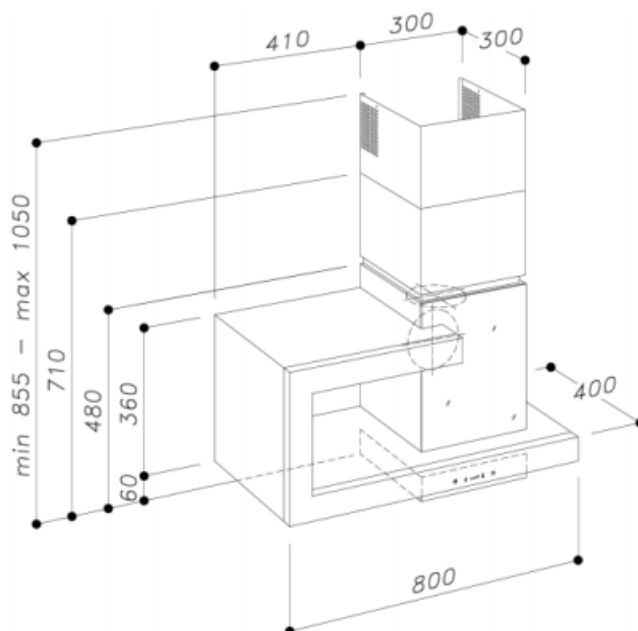
40-44 Mark Anthony Drive, Dandenong South VIC 3175 Ph: 1300 762 219 Fax: 03 9768 0838 Website: [www.arisit.com](http://www.arisit.com)

# SLTCEM 86

## 80CM RANGEHOOD



let's get  
**Sirius**  
with rangehood design



### Technical Specifications:

<b>MODEL</b>	SLTCEM 86
<b>CONTROL PANEL</b>	ELECTRIC
<b>MOTOR</b>	SEM 1, SEM 2, SEM5
<b>EXTRACTION</b>	1200m/3h
<b>DUCTING DIAMETER</b>	150mm
<b>LIGHTS</b>	2 x 6W LED Strip Lighting
<b>FILTER</b>	HYBRID ALUMINIUM FILTER
<b>ELECTRICAL REQUIREMENT</b>	10A
<b>PRODUCT DIMENSIONS</b>	800 x 400 x 855 - 1050

WARNING: technical specifications and product sizes can be varied by the manufacturer, without notice. Cut outs for appliances should only be by physical product measurements. The above information is indicative only.

**Distributed by Arisit Pty Ltd**

40-44 Mark Anthony Drive, Dandenong South VIC 3175 Ph: 1300 762 219 Fax: 03 9768 0838 Website: [www.arisit.com](http://www.arisit.com)