

BATHROOM EXTRACTOR - WHITE FINISH

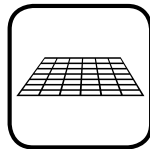
S-BE1 WH



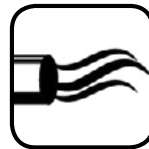
Rangehood type	Ceiling / bathroom
Control	Switch
Speed settings	1
Ducting diameter	125mm
Extraction type	Onboard motor
Motor	Single Italian-made motor
Extraction	350m ³ /h
Filter	Aluminium
Lighting	N/A
Electrical requirement	10A
Dimensions (mm)	W350 x D350 x H210
Weight	10kg
Warranty	3 years (6 years when Sirius ducting is used)



**SINGLE
MOTOR**



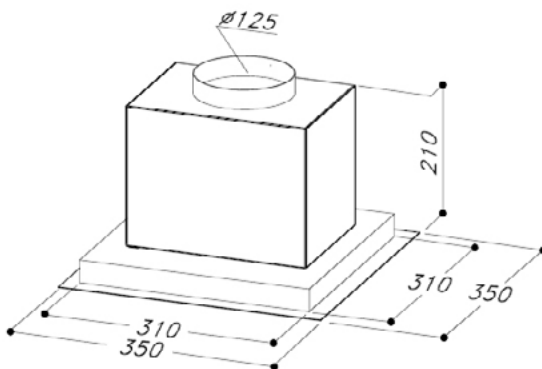
**ALUMINIUM
FILTER**



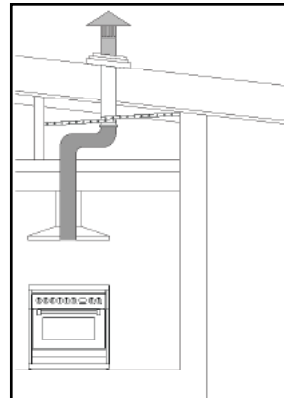
**350m³/h
AIRFLOW**



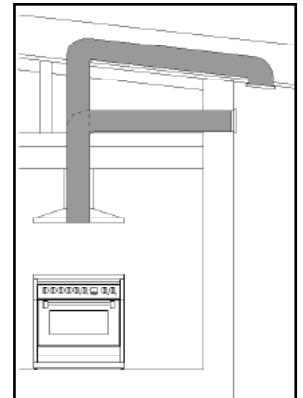
**HANDCRAFTED
IN ITALY**



Ducting options



Roof ducted



Eave or Wall ducted

- Use semi-rigid or rigid ducting, not fully flexible foil ducting.
- Fewer bends means a quieter and more powerful extraction.
- Extra 3 years warranty when Sirius ducting is used (total 6 years).
- See [support page](#) on Sirius website for installation videos and FAQs.

WARNING: technical specifications and product sizes can be varied by the manufacturer, without notice. Cut outs for appliances should only be by physical product measurements. The above information is indicative only.

Distributed by Arisit Pty Ltd