

SEM 5 XS316

EXTERNAL MOTOR



Sirius



EXTERNAL MOTOR

Features and Benefits:

SEM5 XS316 EXTERNAL

- Motor: 1200 m³/h extraction
- XS316 Marine Grade steel
- Aluminium die-cast motor housing
 - Absorption: 265W
 - Pressure: 480 Pa
 - Noise level 64 dBA
- **Ducting 150mm (circular)**

Distributed by Arisit Pty Ltd

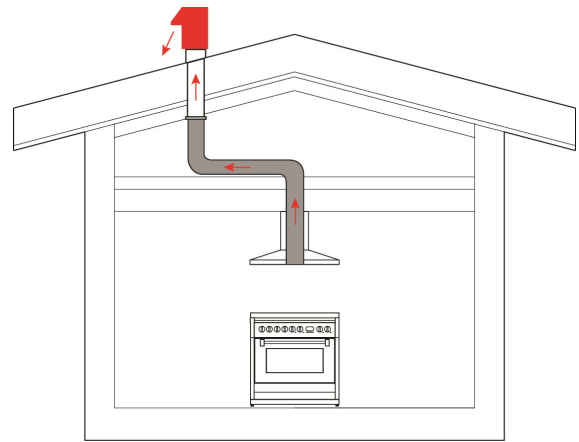
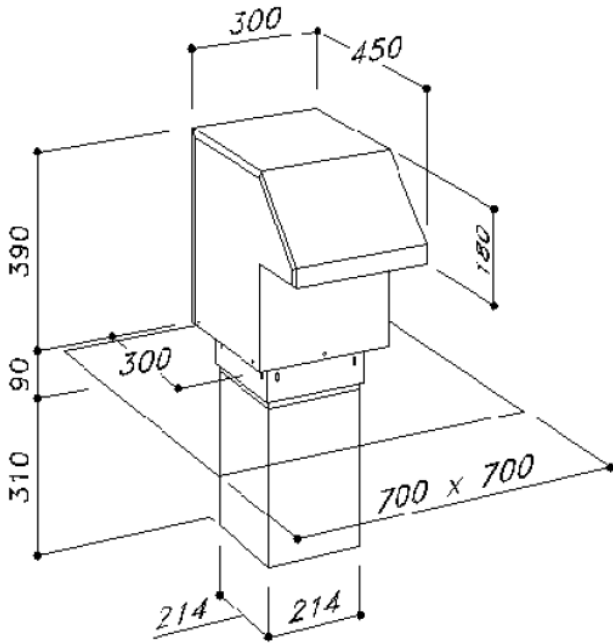
40-50 Mark Anthony Drive, Dandenong South VIC 3175 Ph: 1300 762 219 Fax: 03 9768 0838 Website: www.arisit.com

SEM 5 XS316

EXTERNAL MOTOR



Sirius



Canopy Install

Technical Specifications:

MODEL	SEM 5 XS316
MOTOR	German Made
EXTRACTION	1200 m ³ /h extraction
DUCTING DIAMETER	Ducting 150mm
NOISE	64dBa
PRODUCT DIMENSIONS	WIDTH 300 HEIGHT 390 DEPTH 450

WARNING: technical specifications and product sizes can be varied by the manufacturer, without notice. Cut outs for appliances should only be by physical product measurements. The above information is indicative only.

Distributed by Arisit Pty Ltd

40-50 Mark Anthony Drive, Dandenong South VIC 3175 Ph: 1300 762 219 Fax: 03 9768 0838 Website: www.arisit.com